



DREHSTROM-HOCHSPANNUNGS-MOTOREN

Kühlart: IC81W, Wasser-Luft-Kühlung

THREE - PHASE HIGH VOLTAGE MOTORS

Cooling Method: IC81W, Water-Air

MOTEURS DE HAUTE TENSION DE TROIS PHASE

Méthode de refroidissement IC81W, eau-air de refroidissement



13.8kV - 60 Hz - CL F - IP55

Typ	Nennleistung	Nenn-drehzahl	N-strom 13.8kV	Leistungs- faktor	Wirkungs- grad	Anzugs- moment	Anzugs- strom	Kipp- moment	Gewicht
Type	Rated output	Rated speed	Current 13.8kV	Power factor	Efficiency %	Relative torque	Relative current	B-down Torque	Weight
Type	Puissance nominale	Vitesse nominale	Intensité 13.8kV	Facteur de puissance	Rendement %	Couple démarrage	Courant démarrage	Couple maximal	Masse
	KW	1 / min	A	cos φ	%	MA / MN	Ia / In	MK / MN	kg

2 Polig / 2 Poles / 2 Pôles

HJW450A-2	220	3568	14.5	0.86	92.7	0.6	7.0	1.8	3535
HJW450B-2	250	3569	16.4	0.86	93.0	0.6	7.0	1.8	3550
HJW450C-2	280	3570	18.3	0.86	93.4	0.6	7.0	1.8	3600
HJW450D-2	315	3571	20.3	0.87	93.6	0.6	7.0	1.8	3690
HJW450E-2	355	3572	22.9	0.87	93.8	0.6	7.0	1.8	3760
HJW450F-2	400	3572	25.7	0.87	94.1	0.6	7.0	1.8	3850
HJW450G-2	450	3575	28.8	0.87	94.4	0.6	7.0	1.8	3890
HJW450H-2	500	3575	32.0	0.87	94.3	0.6	7.0	1.8	3970
HJW450I-2	560	3576	35.8	0.87	94.5	0.6	7.0	1.8	4200
HJW450J-2	630	3576	40.2	0.87	94.6	0.6	7.0	1.8	4360
HJW500A-2	710	3577	44.8	0.88	94.7	0.6	7.0	1.8	4810
HJW500B-2	800	3577	50.4	0.88	94.8	0.6	7.0	1.8	4910
HJW500C-2	900	3577	56.6	0.88	94.9	0.6	7.0	1.8	5160
HJW500D-2	1000	3578	62.9	0.88	95.0	0.6	7.0	1.8	5260
HJW500E-2	1120	3578	70.3	0.88	95.2	0.6	7.0	1.8	6350
HJW560A-2	1250	3580	77.4	0.89	95.4	0.6	7.0	1.8	8450
HJW560B-2	1400	3580	86.6	0.89	95.5	0.6	7.0	1.8	8700
HJW560C-2	1600	3580	98.8	0.89	95.6	0.6	7.0	1.8	8950
HJW630A-2	1800	3580	109.8	0.90	95.7	0.6	7.0	1.8	10010
HJW630B-2	2000	3580	121.9	0.90	95.8	0.6	7.0	1.8	10410
HJW630C-2	2240	3581	136.2	0.90	96.0	0.6	7.0	1.8	11260
HJW710A-2	2500	3581	153.9	0.89	95.9	0.6	7.0	1.8	15300
HJW710B-2	2800	3581	172.2	0.89	96.0	0.6	7.0	1.8	16000
HJW710C-2	3150	3582	193.5	0.89	96.1	0.6	7.0	1.8	16700
HJW710D-2	3550	3582	217.9	0.89	96.2	0.6	7.0	1.8	17100
HJW800A-2	4000	3583	245.2	0.89	96.3	0.6	7.0	1.8	22400
HJW800B-2	4500	3583	275.6	0.89	96.4	0.6	7.0	1.8	23300
HJW800C-2	5000	3584	305.9	0.89	96.5	0.6	7.0	1.8	24200
HJW800D-2	5600	3584	342.3	0.89	96.6	0.6	7.0	1.8	25100





DREHSTROM-HOCHSPANNUNGS-MOTOREN

Kühlart: IC81W, Wasser-Luft-Kühlung

THREE - PHASE HIGH VOLTAGE MOTORS

Cooling Method: IC81W, Water-Air

MOTEURS DE HAUTE TENSION DE TROIS PHASE

Méthode de refroidissement IC81W, eau-air de refroidissement



13.8kV - 60 Hz - CL F - IP55

Typ	Nennleistung	Nenn-drehzahl	N-strom 13.8kV	Leistungs-faktor	Wirkungs-grad	Anzugs-moment	Anzugs-strom	Kipp-moment	Trägheits-moment kg m ²	Gewicht
Type	Rated output	Rated speed	Current 13.8kV	Power factor	Efficiency %	Relative torque	Relative current	B-down Torque	Moment of inertia kg m ²	Weight
Type	Puissance nominale	Vitesse nominale	Intensité 13.8kV	Facteur de puissance	Rendement %	Couple démarrage	Courant démarrage	Couple maximal	Moment d'inertie kg m ²	Masse

	kW	1/min	A	cos Φ	%	Ma/Mn	Ia/In	MK/MN	Motor	J Load	kg
--	----	-------	---	-------	---	-------	-------	-------	-------	--------	----

4 Polig / 4 Pole

HJW400A-4	220	1784.4	16	0.84	92.5	0.8	6.4	2.2	11	120	2850
HJW400B-4	250	1784.4	19	0.84	92.8	0.8	6.3	2.2	12	130	2900
HJW400C-4	280	1784.4	21	0.85	93.0	0.8	6.2	2.2	12	140	2950
HJW400D-4	315	1784.4	23	0.85	93.3	0.8	6.0	2.3	13	160	3000
HJW400E-4	355	1782	26	0.86	93.6	0.8	5.8	2.3	14	170	3080
HJW400F-4	400	1782	29	0.86	93.5	0.9	5.7	2.4	14	180	3150
HJW400G-4	450	1782	32	0.85	93.9	0.9	5.8	2.5	15	190	3250
HJW400H-4	500	1782	36	0.86	94.3	0.9	5.8	2.4	16	200	3350
HJW450A-4	560	1780.8	39	0.88	94.2	0.9	5.8	2.2	19	240	4280
HJW450B-4	630	1780.8	44	0.88	94.5	0.9	5.9	2.2	20	250	4400
HJW450C-4	710	1782	49	0.88	94.8	0.9	6.0	2.2	22	265	4520
HJW450D-4	800	1782	54	0.89	95.1	1.0	6.1	2.2	26	275	4650
HJW500A-4	900	1784.4	62	0.88	94.8	0.7	5.8	2.1	34	340	5200
HJW500B-4	1000	1784.4	68	0.90	95.1	0.7	5.9	2.2	40	350	5350
HJW500C-4	1120	1784.4	76	0.90	95.3	0.6	5.9	2.1	44	367	5500
HJW500D-4	1250	1785.6	84	0.90	95.5	0.7	5.6	2.3	47	370	5800
HJW560A-4	1400	1788	96	0.88	95.5	0.6	5.9	2.3	55	390	7200
HJW560B-4	1600	1788	109	0.89	95.5	0.6	5.8	2.2	60	405	7400
HJW560C-4	1800	1788	122	0.89	95.9	0.6	5.8	2.2	65	420	7600
HJW560D-4	2000	1788	134	0.90	96.1	0.6	5.8	2.2	75	450	7800
HJW630A-4	2240	1789.2	150	0.90	95.7	0.7	6.4	2.3	135	560	9200
HJW630B-4	2500	1788	167	0.90	95.8	0.6	6.3	2.4	145	590	9500
HJW630C-4	2800	1788	187	0.90	96.0	0.6	6.4	2.3	156	810	9900
HJW630D-4	3150	1789.2	210	0.90	96.1	0.7	6.5	2.3	166	1000	10600
HJW710A-4	3550	1792.8	232	0.91	96.7	0.6	5.6	2.2	180	1600	13450
HJW710B-4	4000	1792.8	262	0.91	96.8	0.7	6.2	2.3	210	1850	14130
HJW710C-4	4500	1792.8	294	0.90	96.8	0.7	6.2	2.4	225	2220	15020
HJW800A-4	5000	1792.8	331	0.90	96.9	0.6	5.5	2.3	280	2510	17890
HJW800B-4	5600	1792.8	366	0.91	97.0	0.6	5.8	2.4	300	2610	18240
HJW800C-4	6300	1792.8	411	0.90	97.0	0.7	6.1	2.6	320	2780	18920
HJW900A-4	7100	1794	469	0.90	97.2	0.7	5.4	1.8	410	2830	24830
HJW900B-4	8000	1792.8	527	0.89	97.3	0.7	5.3	1.9	450	2760	25960
HJW900C-4	9000	1792.8	593	0.90	97.3	0.7	5.4	1.9	490	2920	27080
HJW1000A-4	10000	1794	667	0.89	97.2	0.5	5.4	1.7	850	3010	30980
HJW1000B-4	11200	1794	746	0.89	97.4	0.5	5.6	1.6	970	3220	32060
HJW1000C-4	12500	1794	822	0.90	97.5	0.6	5.7	1.8	1030	3300	33450
HJW1000D-4	14000	1794	920	0.90	97.6	0.6	5.5	1.7	1180	3500	34820
HJW1120A-4	16000	1796.4	1053	0.90	97.5	0.4	6.7	2.7	1830	3500	38890
HJW1120B-4	18000	1795.2	1184	0.90	97.5	0.4	6.0	2.4	1830	3800	39670
HJW1120C-4	20000	1795.2	1300	0.91	97.6	0.4	5.7	2.3	1830	4050	41900
HJW1120D-4	22400	1795.2	1455	0.91	97.7	0.5	6.4	2.5	2230	4250	43890





DREHSTROM-HOCHSPANNUNGS-MOTOREN

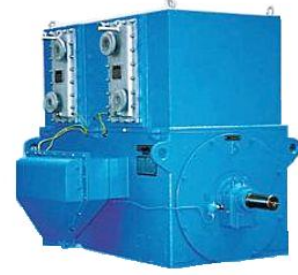
Kühlart: IC81W, Wasser-Luft-Kühlung

THREE - PHASE HIGH VOLTAGE MOTORS

Cooling Method: IC81W, Water-Air

MOTEURS DE HAUTE TENSION DE TROIS PHASE

Méthode de refroidissement IC81W, eau-air de refroidissement



13.8kV - 60 Hz - CL F - IP55

Typ	Nennleistung	Nenn-drehzahl	N-strom 13.8kV	Leistungs-faktor	Wirkungs-grad	Anzugs-moment	Anzugs-strom	Kipp-moment	Trägheits-moment kg m2	Gewicht
Type	Rated output	Rated speed	Current 13.8kV	Power factor	Efficiency %	Relative torque	Relative current	B-down Torque	Moment of inertia kg m2	Weight
Type	Puissance nominale	Vitesse nominale	Intensité 13.8kV	Facteur de puissance	Rendement %	Couple démarrage	Courant démarrage	Couple maximal	Moment d'inertie kg m2	Masse

	kW	1/min	A	cos Φ	%	Ma/Mn	Ia/In	MK/MN	Motor	J Load	kg
--	----	-------	---	-------	---	-------	-------	-------	-------	--------	----

6 Polig / 6 Pole

HJW400A-6	220	1182	17	0.81	92.2	1.0	5.8	2.0	16	350	3100
HJW400B-6	250	1182	19	0.81	92.7	1.0	5.3	2.0	17	370	3180
HJW400C-6	280	1182	21	0.83	92.5	1.0	5.2	2.0	18	380	3260
HJW400D-6	315	1182	24	0.82	92.6	0.9	5.0	2.0	19	390	3320
HJW400E-6	355	1182	27	0.83	92.9	0.8	5.6	2.0	20	400	3400
HJW450A-6	400	1183.2	29	0.86	93.4	0.8	5.6	1.9	28	560	4080
HJW450B-6	450	1184.4	33	0.84	93.6	0.8	5.6	1.9	31	570	4200
HJW450C-6	500	1184.4	36	0.85	93.9	0.9	5.9	1.9	33	580	4310
HJW450D-6	560	1184.4	40	0.88	94.2	0.9	6.0	1.9	38	590	4430
HJW450E-6	630	1184.4	46	0.85	94.3	0.8	5.3	1.9	38	600	4550
HJW500A-6	710	1184.4	50	0.86	94.5	0.7	4.8	2.0	40	702	5150
HJW500B-6	800	1186.8	57	0.86	94.7	0.7	4.9	2.0	44	863	5300
HJW500C-6	900	1186.8	63	0.87	94.8	0.7	5.3	2.0	50	882	5600
HJW500D-6	1000	1188	71	0.86	95.1	0.8	5.6	2.2	55	910	5750
HJW560A-6	1120	1190.4	77	0.88	95.2	0.7	5.9	2.3	92	1100	6800
HJW560B-6	1250	1189.2	85	0.89	95.4	0.7	5.9	2.3	97	1200	7050
HJW560C-6	1400	1190.4	96	0.88	95.7	0.7	5.8	2.2	105	1300	7250
HJW630A-6	1600	1191.6	111	0.87	95.6	0.7	5.7	2.2	185	1200	8500
HJW630B-6	1800	1191.6	123	0.88	95.7	0.7	5.8	2.1	199	1310	9250
HJW630C-6	2000	1191.6	137	0.88	95.8	0.7	5.6	2.1	228	1400	9650
HJW630D-6	2240	1191.6	155	0.87	96.0	0.7	5.8	2.1	256	1520	10400
HJW710A-6	2500	1192.8	168	0.88	96.6	0.7	5.7	2.1	284	1610	12470
HJW710B-6	2800	1194	190	0.88	96.7	0.7	6.0	2.2	260	2850	13130
HJW710C-6	3150	1194	213	0.88	96.7	0.7	5.8	2.3	285	3000	13870
HJW710D-6	3550	1194	239	0.88	96.8	0.7	5.8	2.2	305	3260	14540
HJW800A-6	4000	1194	271	0.88	96.8	0.7	5.6	2.3	360	3790	17450
HJW800B-6	4500	1194	305	0.88	96.8	0.7	5.5	2.3	390	4140	17940
HJW800C-6	5000	1194	337	0.89	96.9	0.7	5.6	2.3	430	4460	18900
HJW900A-6	5600	1194	374	0.89	97.1	0.7	5.8	2.5	560	5330	22910
HJW900B-6	6300	1194	420	0.89	97.2	0.7	5.8	2.4	600	5730	23840
HJW900C-6	7100	1194	473	0.89	97.2	0.7	5.7	2.4	640	6030	24750
HJW1000A-6	8000	1195.2	533	0.89	97.3	0.6	5.5	2.2	1210	6500	29650
HJW1000B-6	9000	1195.2	600	0.89	97.3	0.7	5.7	2.2	1340	7050	31450
HJW1000C-6	10000	1196.4	666	0.89	97.4	0.8	6.4	2.5	1440	7540	32750
HJW1000D-6	11200	1195.2	744	0.89	97.5	0.7	6.1	2.4	1580	8140	33710
HJW1120A-6	12500	1195.2	832	0.89	97.5	0.6	5.8	2.2	2070	8350	38640
HJW1120B-6	14000	1195.2	930	0.89	97.6	0.6	5.8	2.2	2240	8580	39800
HJW1120C-6	16000	1195.2	1052	0.90	97.6	0.7	5.9	2.3	2375	9080	41050
HJW1120D-6	18000	1195.2	1196	0.89	97.6	0.7	5.9	2.2	5670	9930	43500





DREHSTROM-HOCHSPANNUNGS-MOTOREN

Kühlart: IC81W, Wasser-Luft-Kühlung

THREE - PHASE HIGH VOLTAGE MOTORS

Cooling Method: IC81W, Water-Air

MOTEURS DE HAUTE TENSION DE TROIS PHASE

Méthode de refroidissement IC81W, eau-air de refroidissement



13.8kV - 60 Hz - CL F - IP55

Typ	Nennleistung	Nenn-drehzahl	N-strom 13.8kV	Leistungs-faktor	Wirkungs-grad	Anzugs-moment	Anzugs-strom	Kipp-moment	Trägheits-moment kg m2	Gewicht	
Type	Rated output	Rated speed	Current 13.8kV	Power factor	Efficiency %	Relative torque	Relative current	B-down Torque	Moment of inertia kg m2	Weight	
Type	Puissance nominale	Vitesse nominale	Intensité 13.8kV	Facteur de puissance	Rendement %	Couple démarrage	Courant démarrage	Couple maximal	Moment d'inertie kg m2	Masse	
	kW	1/min	A	cos Φ	%	Ma/Mn	Ia/In	MK/MN	Motor	J Load	kg

8 Polig / 8 Pole

HJW450A-8	220	886	18	0.78	92.0	1.1	5.3	2.2	30	700	3850
HJW450B-8	250	884	19	0.81	92.4	1.1	5.1	2.1	32	750	3950
HJW450C-8	280	886	22	0.78	92.5	1.0	5.1	2.1	34	800	4060
HJW450D-8	315	886	25	0.80	92.9	1.0	5.0	2.1	35	850	4180
HJW450E-8	355	884	27	0.81	93.2	1.0	5.1	1.9	36	900	4300
HJW450F-8	400	884	31	0.81	93.4	1.1	5.2	1.9	37	930	4430
HJW450G-8	450	884	34	0.82	93.6	0.8	5.1	1.9	38	970	4550
HJW500A-8	500	887	38	0.82	93.7	0.8	5.3	2.0	55	1050	5100
HJW500B-8	560	887	42	0.83	93.9	0.8	5.3	2.0	61	1150	5250
HJW500C-8	630	888	47	0.82	94.1	0.8	5.4	2.1	70	1250	5550
HJW500D-8	710	889	52	0.83	94.3	0.8	5.4	2.1	80	1400	5800
HJW560A-8	800	889	58	0.85	94.3	1.0	5.3	2.2	95	1600	6500
HJW560B-8	900	889	64	0.85	95.5	1.0	5.2	2.2	103	1800	6600
HJW560C-8	1000	889	72	0.85	94.7	1.0	5.2	2.1	110	2100	6800
HJW560D-8	1120	888	79	0.86	94.9	0.9	5.1	2.0	126	2300	7000
HJW630A-8	1250	889	88	0.86	95.2	0.7	5.5	2.1	188	2400	8500
HJW630B-8	1400	889	99	0.86	95.3	0.8	5.4	2.2	204	2500	8800
HJW630C-8	1600	889	113	0.86	95.4	0.8	5.3	2.1	227	2650	9200
HJW630D-8	1800	889	127	0.86	95.5	0.8	5.4	2.2	251	2900	9900
HJW710A-8	2000	895	147	0.82	96.1	0.7	5.3	2.3	280	4050	12510
HJW710B-8	2240	895	164	0.82	96.1	0.7	5.3	2.3	330	4510	12870
HJW710C-8	2500	895	181	0.82	96.2	0.8	6.0	2.5	360	5060	13690
HJW800A-8	2800	894	199	0.84	96.5	0.7	5.4	2.3	420	6060	17240
HJW800B-8	3150	895	224	0.84	96.6	0.8	5.9	2.6	470	8240	18110
HJW800C-8	3550	895	249	0.85	96.6	0.8	5.9	2.6	500	8860	18990
HJW900A-8	4000	894	282	0.85	96.5	0.7	5.1	2.1	670	9450	22710
HJW900B-8	4500	894	317	0.86	96.5	0.8	5.3	2.1	740	10610	23670
HJW900C-8	5000	894	347	0.86	96.6	0.8	5.6	2.3	820	11000	24730
HJW1000A-8	5600	895	385	0.87	96.6	0.7	5.6	2.3	1180	11500	28450
HJW1000B-8	6300	895	433	0.87	96.6	0.6	5.5	2.2	1260	12080	29160
HJW1000C-8	7100	895	487	0.87	96.7	0.6	5.5	2.2	1340	14200	29970
HJW1000D-8	8000	895	548	0.87	96.7	0.6	5.2	2.1	1490	15190	31040
HJW1000E-8	9000	895	616	0.87	96.8	0.7	5.4	2.2	1610	16240	32170
HJW1120A-8	10000	896	683	0.87	97.1	0.6	5.2	2.1	2050	19980	38100
HJW1120B-8	11200	896	765	0.87	97.1	0.6	5.2	2.1	2235	19980	39440
HJW1120C-8	12500	896	845	0.88	97.1	0.5	5.2	2.1	2480	19980	41250
HJW1120D-8	14000	896	945	0.88	97.2	0.6	5.5	2.2	2665	19980	42780





DREHSTROM-HOCHSPANNUNGS-MOTOREN

Kühlart: IC81W, Wasser-Luft-Kühlung

THREE - PHASE HIGH VOLTAGE MOTORS

Cooling Method: IC81W, Water-Air

MOTEURS DE HAUTE TENSION DE TROIS PHASE

Méthode de refroidissement IC81W, eau-air de refroidissement



13.8kV - 60 Hz - CL F - IP55

Typ	Nennleistung	Nenn-drehzahl	N-strom 13.8kV	Leistungs-faktor	Wirkungs-grad	Anzugs-moment	Anzugs-strom	Kipp-moment	Trägheits-moment kg m2	Gewicht
Type	Rated output	Rated speed	Current 13.8kV	Power factor	Efficiency %	Relative torque	Relative current	B-down Torque	Moment of inertia kg m2	Weight
Type	Puissance nominale	Vitesse nominale	Intensité 13.8kV	Facteur de puissance	Rendement %	Couple démarrage	Courant démarrage	Couple maximal	Moment d'inertie kg m2	Masse

	kW	1/min	A	cos Φ	%	Ma/Mn	Ia/In	MK/MN	Motor	J Load	kg
--	----	-------	---	-------	---	-------	-------	-------	-------	--------	----

10 Polig / 10 Pole

HJW450A-10	220	713	20	0.72	91.6	1.1	5.5	2.2	35	737	4050
HJW450B-10	250	712	22	0.74	91.9	1.1	5.4	2.2	38	859	4150
HJW450C-10	280	710	24	0.76	92.0	1.0	5.2	2.2	38	852	4250
HJW450D-10	315	710	26	0.76	92.3	1.0	5.0	2.1	40	782	4350
HJW450E-10	355	710	30	0.76	92.5	1.0	5.0	2.1	43	1161	4450
HJW500A-10	400	710	32	0.78	92.7	1.0	5.6	2.2	60	1335	5080
HJW500B-10	450	710	36	0.78	93.0	0.9	5.5	2.2	67	1590	5230
HJW500C-10	500	710	40	0.77	93.1	0.9	5.5	2.2	73	1717	5520
HJW500D-10	560	710	44	0.78	93.4	0.9	5.5	2.1	80	1948	5820
HJW560A-10	630	710	48	0.81	94.1	0.9	5.0	2.3	125	2312	6800
HJW560B-10	710	710	54	0.81	94.3	0.8	5.0	2.2	132	2632	7000
HJW560C-10	800	710	60	0.81	94.4	0.9	4.9	2.2	141	2941	7100
HJW560D-10	900	710	67	0.82	94.6	0.8	4.9	2.1	159	3369	7300
HJW630A-10	1000	710	73	0.84	94.7	0.7	5.3	2.0	210	3500	8200
HJW630B-10	1120	710	81	0.84	94.9	0.8	5.4	2.0	240	3900	8500
HJW630C-10	1250	712	92	0.83	95.0	0.8	5.2	2.1	270	4300	8900
HJW630D-10	1400	710	101	0.84	95.2	0.8	5.2	2.0	305	4800	9500
HJW630E-10	1600	710	117	0.83	95.4	0.8	5.4	2.2	340	5300	10000
HJW710A-10	1800	714	134	0.81	95.6	0.8	5.3	2.4	370	7020	12360
HJW710B-10	2000	715	149	0.81	95.6	0.8	5.6	2.5	425	8090	12990
HJW710C-10	2240	715	167	0.81	95.7	0.8	5.3	2.4	530	11270	13560
HJW800A-10	2500	715	185	0.81	96.1	0.8	5.4	2.4	570	12150	18000
HJW800B-10	2800	714	207	0.82	96.1	0.8	5.3	2.4	620	13050	18870
HJW900A-10	3150	714	231	0.82	96.2	0.8	4.9	2.2	680	13160	22550
HJW900B-10	3550	714	260	0.82	96.3	0.7	4.8	2.1	750	14160	23260
HJW900C-10	4000	714	292	0.82	96.4	0.7	4.7	2.1	840	15210	24830
HJW1000A-10	4500	715	329	0.84	96.4	0.6	5.1	2.2	1420	18120	27730
HJW1000B-10	5000	715	352	0.85	96.5	0.6	4.8	2.1	1500	18120	28450
HJW1000C-10	5600	715	399	0.84	96.5	0.6	5.2	2.3	1650	20270	29370
HJW1000D-10	6300	715	444	0.85	96.5	0.6	4.9	2.2	1780	22560	30540
HJW1000E-10	7100	715	499	0.85	96.6	0.6	4.9	2.1	1930	23910	31320
HJW1120A-10	8000	715	555	0.86	96.7	0.6	4.9	2.1	2330	24510	37920
HJW1120B-10	9000	715	625	0.86	96.7	0.6	4.8	2.0	2460	25440	38980
HJW1120C-10	10000	715	693	0.86	96.8	0.6	4.7	2.0	2660	27170	40340
HJW1120D-10	11200	715	768	0.87	96.8	0.6	4.7	2.0	2850	29680	41570





DREHSTROM-HOCHSPANNUNGS-MOTOREN

Kühlart: IC81W, Wasser-Luft-Kühlung

THREE - PHASE HIGH VOLTAGE MOTORS

Cooling Method: IC81W, Water-Air

MOTEURS DE HAUTE TENSION DE TROIS PHASE

Méthode de refroidissement IC81W, eau-air de refroidissement



13.8kV - 60 Hz - CL F - IP55

Typ	Nennleistung	Nenn-drehzahl	N-strom 13.8kV	Leistungs-faktor	Wirkungs-grad	Anzugs-moment	Anzugs-strom	Kipp-moment	Trägheits-moment kg m2	Gewicht
Type	Rated output	Rated speed	Current 13.8kV	Power factor	Efficiency %	Relative torque	Relative current	B-down Torque	Moment of inertia kg m2	Weight
Type	Puissance nominale	Vitesse nominale	Intensité 13.8kV	Facteur de puissance	Rendement %	Couple démarrage	Courant démarrage	Couple maximal	Moment d'inertie kg m2	Masse

	kW	1/min	A	cos Φ	%	Ma/Mn	Ia/In	MK/MN	Motor	J Load	kg
--	----	-------	---	-------	---	-------	-------	-------	-------	--------	----

12 Polig / 12 Pole

HJW500A-12	220	594	19	0.74	91.7	1.1	5.3	2.4	57	1108	5120
HJW500B-12	250	594	21	0.75	92.0	1.0	5.1	2.3	62	1285	5230
HJW500C-12	280	594	23	0.75	92.2	1.0	5.1	2.3	67	1529	5350
HJW500D-12	315	594	27	0.74	92.3	1.1	5.1	2.4	71	1621	5450
HJW500E-12	355	594	30	0.75	92.5	1.1	5.1	2.3	81	1835	5700
HJW560A-12	400	592	32	0.78	93.2	0.8	4.2	1.9	123	2893	6300
HJW560B-12	450	593	36	0.78	93.6	0.8	4.2	1.9	133	3603	6500
HJW560C-12	500	593	40	0.77	93.7	0.8	4.4	2.0	142	3940	6700
HJW560D-12	560	593	46	0.75	93.8	0.9	4.7	2.1	152	4000	6900
HJW560E-12	630	593	50	0.77	93.8	0.8	4.2	1.9	162	4490	7100
HJW560F-12	710	593	57	0.76	94.0	0.8	4.4	2.0	170	4650	7300
HJW630A-12	800	594	61	0.80	94.5	0.8	5.1	2.0	277	4750	8500
HJW630B-12	900	594	69	0.80	94.6	0.8	5.2	2.0	288	5000	8800
HJW630C-12	1000	595	76	0.80	94.7	0.9	5.2	2.2	300	6050	9200
HJW630D-12	1120	594	87	0.80	94.9	0.9	5.4	2.1	325	7080	9700
HJW710A-12	1250	595	97	0.78	95.2	0.9	5.8	3.0	290	8050	12300
HJW710B-12	1400	595	109	0.78	95.3	1.0	6.1	3.1	330	9080	12450
HJW710C-12	1600	595	124	0.78	95.3	0.9	5.9	3.0	360	10050	13320
HJW800A-12	1800	595	138	0.79	95.7	0.9	5.7	2.7	560	11270	17530
HJW800B-12	2000	595	154	0.79	95.7	1.0	5.7	2.7	600	12220	18280
HJW800C-12	2240	595	171	0.79	95.8	0.9	5.7	2.6	660	13250	18760
HJW900A-12	2500	595	184	0.82	95.8	0.9	5.9	2.7	920	12630	22000
HJW900B-12	2800	595	206	0.82	95.8	0.9	6.0	2.8	1000	14200	23240
HJW900C-12	3150	595	228	0.83	95.9	0.8	5.3	2.3	1460	22160	24100
HJW1000A-12	3550	595	260	0.82	96.3	0.8	5.3	2.3	1570	23280	26620
HJW1000B-12	4000	595	292	0.83	96.3	0.8	5.2	2.2	1720	24200	27800
HJW1000C-12	4500	595	325	0.83	96.4	0.8	5.4	2.3	1880	26030	28600
HJW1000D-12	5000	595	361	0.83	96.4	0.9	5.6	2.3	2080	30650	29820
HJW1120A-12	5600	595	399	0.84	96.5	0.6	5.1	2.2	2465	31440	37910
HJW1120B-12	6300	595	449	0.84	96.5	0.7	5.1	2.2	2620	32440	38910
HJW1120C-12	7100	595	506	0.84	96.5	0.7	5.1	2.2	2840	33850	40530
HJW1120D-12	8000	595	569	0.84	96.6	0.7	5.1	2.2	3130	34680	41500





DREHSTROM-HOCHSPANNUNGS-MOTOREN

Kühlart: IC81W, Wasser-Luft-Kühlung

THREE - PHASE HIGH VOLTAGE MOTORS

Cooling Method: IC81W, Water-Air

MOTEURS DE HAUTE TENSION DE TROIS PHASE

Méthode de refroidissement IC81W, eau-air de refroidissement



13.8kV - 60 Hz - CL F - IP55

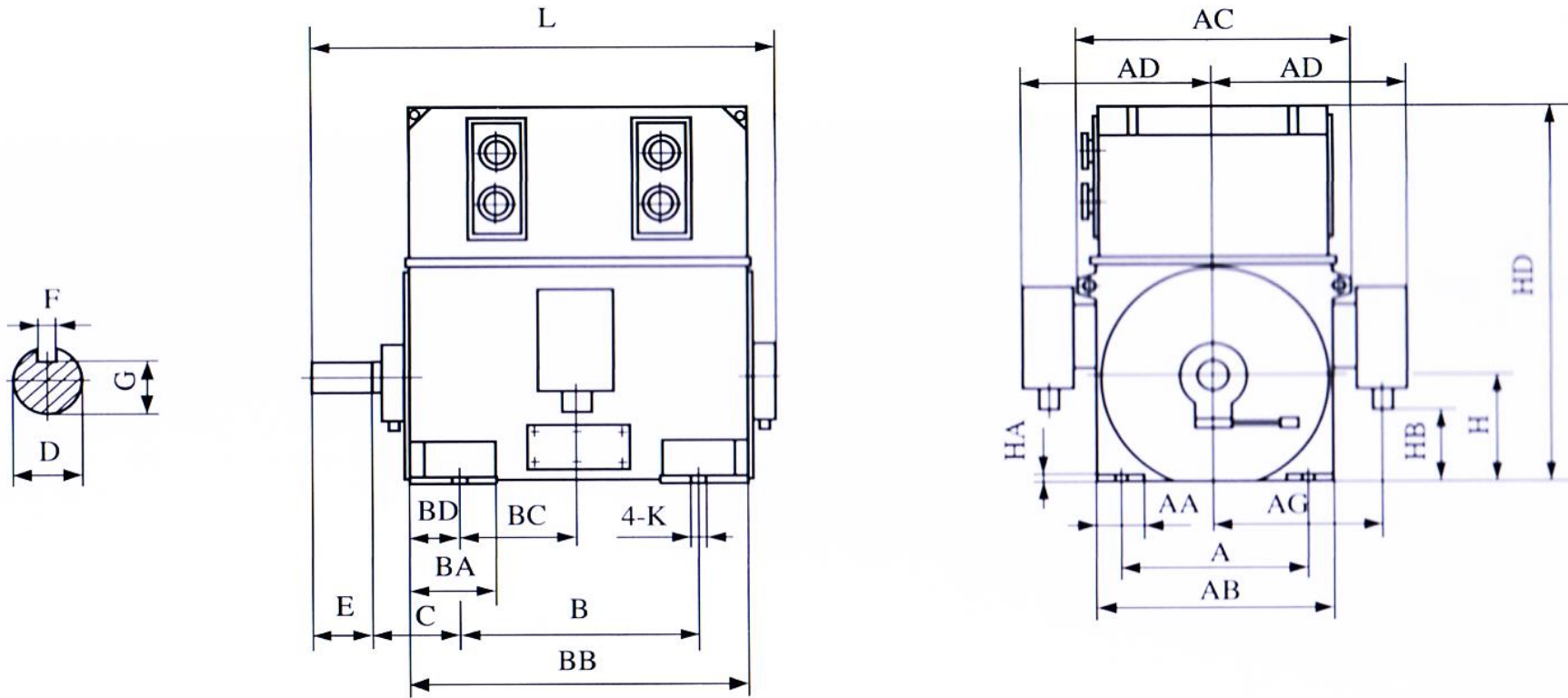
Typ	Nennleistung	Nenn-drehzahl	N-strom 13.8kV	Leistungs-faktor	Wirkungs-grad	Anzugs-moment	Anzugs-strom	Kipp-moment	Trägheits-moment kg m ²	Gewicht	
Type	Rated output	Rated speed	Current 13.8kV	Power factor	Efficiency %	Relative torque	Relative current	B-down Torque	Moment of inertia kg m ²	Weight	
Type	Puissance nominale	Vitesse nominale	Intensité 13.8kV	Facteur de puissance	Rendement %	Couple démarrage	Courant démarrage	Couple maximal	Moment d'inertie kg m ²	Masse	
	kW	1/min	A	cos Φ	%	Ma/Mn	Ia/In	MK/MN	Motor	J Load	kg

16 Polig / 16 Pole

HJW710A-16	710	442	60	0.72	93.4	0.9	5.4	2.3	310	12140	12460
HJW710B-16	800	442	67	0.72	93.5	1.0	5.6	2.3	353	13460	12800
HJW710C-16	900	442	76	0.71	93.5	1.1	5.9	2.3	398	14830	13140
HJW710D-16	1000	443	85	0.71	93.6	1.1	5.8	2.5	456	16330	13650
HJW800A-16	1120	443	96	0.72	93.7	0.9	5.1	2.6	620	21340	17130
HJW800B-16	1250	443	107	0.72	93.7	0.9	5.1	2.6	660	23050	17500
HJW800C-16	1400	444	120	0.72	93.8	0.9	5.1	2.4	730	24750	18210
HJW900A-16	1600	444	133	0.74	94.2	0.9	5.0	2.5	920	19310	21620
HJW900B-16	1800	444	149	0.74	94.3	0.9	5.0	2.5	1000	20880	22200
HJW900C-16	2000	444	169	0.73	94.3	0.9	5.2	2.6	1090	23260	22850
HJW1000A-16	2240	444	177	0.77	94.7	0.8	4.8	2.2	1390	36440	25950
HJW1000B-16	2500	444	197	0.77	94.7	0.8	4.8	2.2	1550	38290	26600
HJW1000C-16	2800	444	220	0.77	94.8	0.9	4.9	2.2	1750	42840	27220
HJW1000D-16	3150	445	248	0.77	94.9	0.9	5.1	2.3	1960	46510	27980
HJW1000E-16	3550	445	279	0.77	95.2	1.0	5.6	2.4	2110	50510	28650
HJW1120A-16	4000	445	309	0.78	95.7	0.8	5.1	2.3	2375	63530	32720
HJW1120B-16	4500	445	348	0.78	95.7	0.8	5.0	2.2	2520	63530	33540
HJW1120C-16	5000	445	381	0.79	95.9	0.8	4.8	2.1	2815	64370	34630
HJW1120D-16	5600	445	422	0.80	95.9	0.8	4.8	2.1	3035	65500	35530



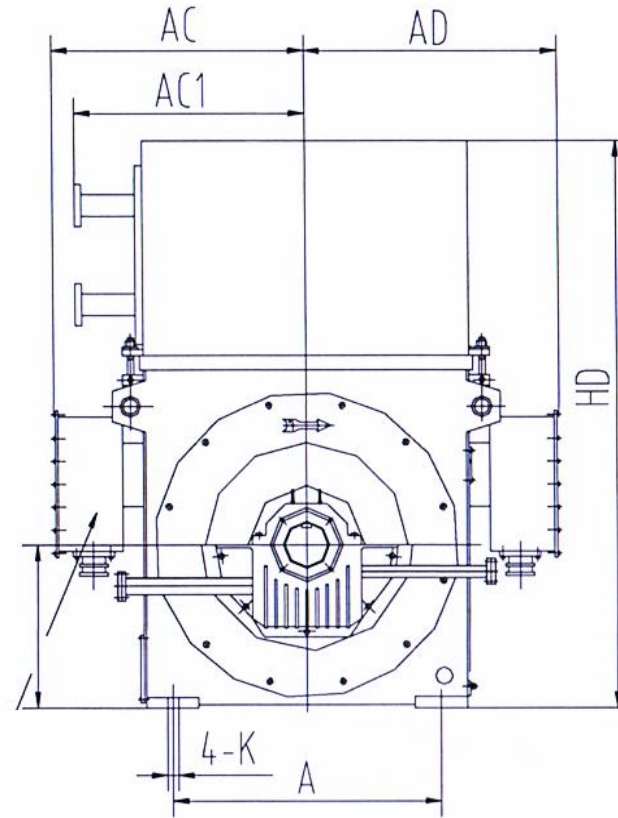
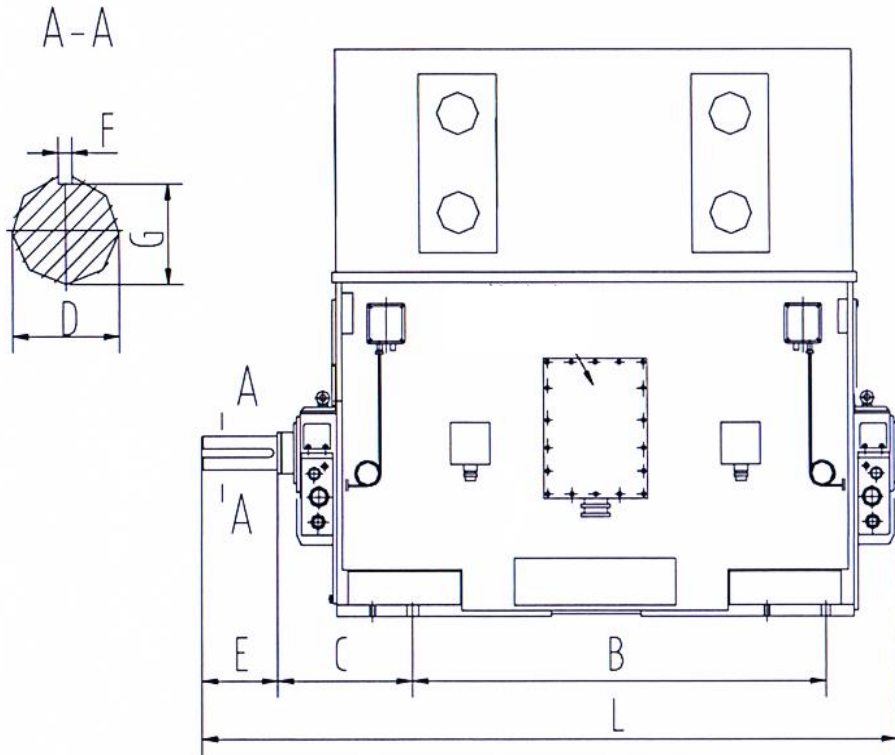
Overall mounting dimensions for HJW (13.8kV) series of high-voltage three-phase induction motors. Frame Size 450-630



HOFFMANN TECHNICS AG

Frame Size	A	AA	AB	AC	AD	AG	B	BA	BB	BC	BD	C	D	E	F	G	H	HA	HB	HD	K	L
HJW450 2	800	208	980	1180	990	660	1120	620	1620	509	301	400	90	170	25	81	450	40	140	1930	35	2000
HJW450 4-8	800	208	980	1180	990	660	1120	620	1620	548	262	355	110	210	28	100	450	40	140	1930	35	2050
HJW500 2	900	208	1120	1320	1060	830	1250	660	1730	495	370	560	100	210	28	90	500	40	240	2080	42	2350
HJW500 4	900	208	1120	1320	1060	830	1250	660	1730	510	355	475	120	210	32	109	500	40	240	2080	42	2200
HJW500 6-12	900	208	1120	1320	1060	830	1250	660	1730	510	355	475	130	250	32	119	500	40	240	2080	42	2200
HJW560 2	1000	210	1220	1460	1110	880	1400	720	1860	585	345	560	130	250	32	119	560	40	280	2330	42	2650
HJW560 4	1000	210	1220	1460	1110	880	1400	720	1860	570	360	500	150	250	36	138	560	40	290	2330	42	2400
HJW560 6-12	1000	210	1220	1460	1110	880	1400	720	1860	570	360	500	160	300	40	147	560	40	290	2330	42	2450
HJW630 2	1120	210	1260	1500	1135	975	1600	670	2000	710	290	560	140	250	36	128	630	40	480	2850	48	2750
HJW630 4	1120	210	1260	1500	1135	975	1600	670	2000	740	260	530	170	300	40	157	630	40	480	2850	48	2800
HJW630 6-12	1120	210	1260	1500	1135	975	1600	670	2000	740	260	530	180	300	45	165	630	40	480	2850	48	2800

Overall mounting dimensions for HJW (13.8kV) series of high-voltage three-phase induction motors. Frame Size 710 - 1000



Frame	Mounting dimension and tolerance									Overall Dimension				
	A	B	C	D	E	F	G	H	K	AC	AC1	AD	HD	L
HJW710 2	1400	1600	530	160	300	40	147	710	56	1370	990	1310	2340	3200
HJW710 4-16	1400	1800	530	200	350	45	185	710	56	1370	990	1310	2340	3200
HJW800 2	1600	1800	530	180	350	45	165	800	56	1460	1080	1400	2800	3420
HJW800 4-16	1600	2000	530	220	350	50	203	800	56	1460	1080	1400	2800	3420
HJW900 4-16	1800	2240	600	250	410	56	230	900	66	1560	1250	1500	3200	3650
HJW1000 4-16	2000	2500	600	280	410	63	260	1000	66	1660	1350	1600	3600	3980