

**DREHSTROM-HOCHSPANNUNGS-MOTOREN**

Kühlart: IC81W, Wasser-Luft-Kühlung

**THREE - PHASE HIGH VOLTAGE MOTORS**

Cooling Method: IC81W, Water-Air

**MOTEURS DE HAUTE TENSION DE TROIS PHASE**

Méthode de refroidissement IC81W, eau-air de refroidissement


**6.6kV - 60 Hz - CL F - IP55**

Typ	Nennleistung	Nenn-drehzahl	N-strom 6.6kV	Leistungs-faktor	Wirkungs-grad	Anzugs-moment	Anzugs-strom	Kipp-moment	Gewicht
Type	Rated output	Rated speed	Current 6.6kV	Power factor	Efficiency %	Relative torque	Relative current	B-down Torque	Weight
Type	Puissance nominale	Vitesse nominale	Intensité 6.6kV	Facteur de puissance	Rendement %	Couple démarrage	Courant démarrage	Couple maximal	Masse
	KW	1 / min	A	cos $\varphi$	%	MA / MN	Ia / In	MK / MN	kg

**2 Polig / 2 Poles / 2 Pôles**

HJW355A-2	220	3560	24.1	0.86	92.8	0.6	7.0	1.8	2250
HJW355B-2	250	3562	27.4	0.86	92.9	0.6	7.0	1.8	2290
HJW355C-2	280	3564	30.6	0.86	93.1	0.6	7.0	1.8	2360
HJW355D-2	315	3564	34.3	0.86	93.4	0.6	7.0	1.8	2400
HJW355E-2	355	3568	38.6	0.86	93.7	0.6	7.0	1.8	2490
HJW355F-2	400	3568	43.3	0.86	94.1	0.6	7.0	1.8	2500
HJW400A-2	450	3570	48.5	0.86	94.4	0.6	7.0	1.8	3080
HJW400B-2	500	3571	53.2	0.87	94.6	0.6	7.0	1.8	3160
HJW400C-2	560	3572	59.5	0.87	94.7	0.6	7.0	1.8	3270
HJW400D-2	630	3574	66.8	0.87	94.9	0.6	7.0	1.8	3370
HJW450A-2	710	3572	75.2	0.87	95.0	0.6	7.0	1.8	4230
HJW450B-2	800	3571	84.6	0.87	95.2	0.6	7.0	1.8	4390
HJW450C-2	900	3569	95.1	0.87	95.3	0.6	7.0	1.8	4550
HJW450D-2	1000	3572	104.3	0.88	95.4	0.6	7.0	1.8	4710
HJW500A-2	1120	3574	116.7	0.88	95.5	0.6	7.0	1.8	4840
HJW500B-2	1250	3575	130.1	0.88	95.6	0.6	7.0	1.8	5000
HJW500C-2	1400	3575	145.6	0.88	95.7	0.6	7.0	1.8	5300
HJW500D-2	1600	3574	166.2	0.88	95.8	0.6	7.0	1.8	5600
HJW560A-2	1800	3577	186.8	0.88	95.9	0.6	7.0	1.8	8750
HJW560B-2	2000	3577	207.3	0.88	96.0	0.6	7.0	1.8	9000
HJW560C-2	2240	3578	232.0	0.88	96.1	0.6	7.0	1.8	9250
HJW630A-2	2500	3578	255.7	0.89	96.2	0.6	7.0	1.8	10050
HJW630B-2	2800	3578	286.1	0.89	96.3	0.6	7.0	1.8	10450
HJW630C-2	3150	3580	321.9	0.89	96.3	0.6	7.0	1.8	10850
HJW710A-2	3550	3581	363.1	0.89	96.2	0.6	7.0	1.8	14600
HJW710B-2	4000	3581	408.3	0.89	96.4	0.6	7.0	1.8	14900
HJW710C-2	4500	3581	458.9	0.89	96.5	0.6	7.0	1.8	15300
HJW710D-2	5000	3581	509.3	0.89	96.6	0.6	7.0	1.8	16200
HJW800A-2	5600	3583	569.9	0.89	96.7	0.6	7.0	1.8	22500
HJW800B-2	6300	3583	640.4	0.89	96.8	0.6	7.0	1.8	23800
HJW800C-2	7100	3583	721.0	0.89	96.9	0.6	7.0	1.8	25000





**DREHSTROM-HOCHSPANNUNGS-MOTOREN**

Kühlart: IC81W, Wasser-Luft-Kühlung

**THREE - PHASE HIGH VOLTAGE MOTORS**

Cooling Method: IC81W, Water-Air

**MOTEURS DE HAUTE TENSION DE TROIS PHASE**

Méthode de refroidissement IC81W, eau-air de refroidissement



**6.6kV - 60 Hz - CL F - IP55**

Typ	Nennleistung	Nenn-drehzahl	N-strom 6.6kV	Leistungs-faktor	Wirkungs-grad	Anzugs-moment	Anzugs-strom	Kipp-moment	Trägheits-moment kg m2	Gewicht	
Type	Rated output	Rated speed	Current 6.6kV	Power factor	Efficiency %	Relative torque	Relative current	B-down Torque	Moment of inertia kg m2	Weight	
Type	Puissance nominale	Vitesse nominale	Intensité 6.6kV	Facteur de puissance	Rendement %	Couple démarrage	Courant démarrage	Couple maximal	Moment d'inertie kg m2	Masse	
	kW	1/min	A	cos φ	%	Ma/Mn	Ia/In	MK/MN	Motor	J Load	kg

**4 Polig / 4 Pole**

HJW355A-4	220	1777.2	27	0.85	92.6	0.8	5.8	2.3	8	65	2200
HJW355B-4	250	1777.2	31	0.85	93.0	0.8	5.8	2.4	8	72	2260
HJW355C-4	280	1777.2	33	0.87	93.2	0.8	5.7	2.3	9	80	2340
HJW355D-4	315	1777.2	38	0.86	93.5	0.8	5.7	2.2	9	90	2400
HJW355E-4	355	1777.2	42	0.86	93.9	0.8	5.6	2.2	10	95	2480
HJW355F-4	400	1776	47	0.87	94.1	0.8	5.6	2.1	11	111	2580
HJW400A-4	450	1778.4	52	0.88	94.3	0.8	5.5	2.1	16	220	3070
HJW400B-4	500	1780.8	58	0.88	94.6	0.9	6.0	2.2	18	240	3210
HJW400C-4	560	1780.8	64	0.89	94.8	0.9	6.1	2.2	19	255	3330
HJW400D-4	630	1780.8	72	0.89	95.1	0.9	6.2	2.2	21	270	3450
HJW450A-4	710	1783.2	81	0.89	95.1	0.7	6.3	2.2	23	280	4500
HJW450B-4	800	1783.2	91	0.89	95.3	0.7	6.2	2.2	24	290	4600
HJW450C-4	900	1783.2	102	0.89	95.5	0.7	6.1	2.2	26	300	4700
HJW450D-4	1000	1783.2	113	0.89	95.7	0.8	6.2	2.3	28	310	4800
HJW500A-4	1120	1782	125	0.90	95.3	0.7	5.4	2.0	35	350	5100
HJW500B-4	1250	1783.2	139	0.91	95.4	0.7	5.6	2.1	38	360	5400
HJW500C-4	1400	1784.4	156	0.90	95.6	0.8	5.8	2.1	41	370	5550
HJW500D-4	1600	1785.6	179	0.90	95.7	0.8	6.1	2.2	48	380	5700
HJW560A-4	1800	1788	200	0.90	95.8	0.6	5.8	2.2	73	380	7200
HJW560B-4	2000	1788	222	0.90	95.9	0.6	6.0	2.2	76	390	7500
HJW560C-4	2240	1788	249	0.90	96.1	0.6	6.1	2.2	80	400	7900
HJW630A-4	2500	1788	275	0.91	96.1	0.7	6.1	2.1	125	800	9200
HJW630B-4	2800	1788	308	0.91	96.2	0.7	6.2	2.1	134	1000	9500
HJW630C-4	3150	1788	346	0.91	96.3	0.7	6.2	2.2	153	1200	9900
HJW630D-4	3550	1789.2	385	0.92	96.4	0.7	6.4	2.2	173	1400	10600
HJW710A-4	4000	1790.4	441	0.90	96.9	0.6	4.8	2.0	168	1994	13320
HJW710B-4	4500	1790.4	492	0.91	96.9	0.6	4.9	2.1	198	2177	13750
HJW710C-4	5000	1791.6	542	0.92	97.0	0.6	5.3	2.2	244	2256	14800
HJW800A-4	5600	1791.6	604	0.92	97.2	0.6	5.2	2.2	275	2540	17980
HJW800B-4	6300	1791.6	677	0.92	97.2	0.6	5.2	2.2	300	2620	18350
HJW800C-4	7100	1791.6	761	0.92	97.3	0.6	5.3	2.2	320	2770	19010
HJW900A-4	8000	1791.6	879	0.89	97.4	0.6	4.9	1.9	410	3280	24700
HJW900B-4	9000	1791.6	982	0.89	97.4	0.6	5.2	1.8	450	3650	25980
HJW900C-4	10000	1792.8	1086	0.90	97.5	0.7	5.3	1.9	510	3800	27460
HJW1000A-4	11200	1794	1243	0.89	97.4	0.5	5.4	1.7	900	3900	30870
HJW1000B-4	12500	1794	1386	0.89	97.5	0.5	5.3	1.6	860	4370	31900
HJW1000C-4	14000	1794	1532	0.90	97.6	0.6	5.4	1.7	970	4660	33500
HJW1000D-4	16000	1794	1751	0.90	97.7	0.6	5.5	1.8	1060	4780	34670
HJW1000E-4	18000	1794	1970	0.90	97.7	0.7	5.2	1.7	1380	4900	36430
HJW1120A-4	20000	1795.2	2186	0.90	97.8	0.4	5.2	1.7	1490	5400	39980
HJW1120B-4	22400	1794	2449	0.90	97.8	0.4	5.2	1.8	1640	6000	41470
HJW1120C-4	25000	1795.2	2733	0.90	97.8	0.5	5.3	1.8	1820	6700	43100





**DREHSTROM-HOCHSPANNUNGS-MOTOREN**

Kühlart: IC81W, Wasser-Luft-Kühlung

**THREE - PHASE HIGH VOLTAGE MOTORS**

Cooling Method: IC81W, Water-Air

**MOTEURS DE HAUTE TENSION DE TROIS PHASE**

Méthode de refroidissement IC81W, eau-air de refroidissement



**6.6kV - 60 Hz - CL F - IP55**

Typ	Nennleistung	Nenn-drehzahl	N-strom 6.6kV	Leistungs-faktor	Wirkungs-grad	Anzugs-moment	Anzugs-strom	Kipp-moment	Trägheits-moment kg m2	Gewicht	
Type	Rated output	Rated speed	Current 6.6kV	Power factor	Efficiency %	Relative torque	Relative current	B-down Torque	Moment of inertia kg m2	Weight	
Type	Puissance nominale	Vitesse nominale	Intensité 6.6kV	Facteur de puissance	Rendement %	Couple démarrage	Courant démarrage	Couple maximal	Moment d'inertie kg m2	Masse	
	kW	1/min	A	cos Φ	%	Ma/Mn	Ia/In	MK/MN	Motor	J Load	kg

**6 Polig / 6 Pole**

HJW355A-6	220	1179.6	27	0.83	93.2	1.1	5.4	2.3	12	280	2450
HJW355B-6	250	1179.6	31	0.83	93.3	1.1	5.4	2.3	13	290	2520
HJW355C-6	280	1180.8	34	0.84	93.6	1.1	5.4	2.3	14	300	2600
HJW400A-6	315	1179.6	38	0.85	93.5	0.8	5.5	2.0	16	340	3050
HJW400B-6	355	1179.6	43	0.85	93.7	0.8	5.9	2.0	17	360	3160
HJW400C-6	400	1180.8	48	0.85	94.0	0.9	5.2	2.0	18	380	3290
HJW400D-6	450	1183.2	54	0.85	94.3	0.9	6.1	2.0	19	400	3450
HJW450A-6	500	1182	59	0.87	94.5	0.9	5.5	2.0	33	600	4280
HJW450B-6	560	1183.2	65	0.87	94.7	0.9	5.4	2.0	35	620	4500
HJW450C-6	630	1183.2	73	0.87	94.9	0.9	5.4	2.0	38	640	4520
HJW450D-6	710	1183.2	83	0.87	95.1	0.9	5.5	2.0	40	660	4750
HJW500A-6	800	1188	96	0.86	95.1	0.9	5.6	2.1	43	705	5050
HJW500B-6	900	1188	104	0.87	95.2	0.8	5.1	2.0	45	720	5150
HJW500C-6	1000	1189.2	115	0.88	95.3	0.8	5.5	2.1	52	770	5450
HJW500D-6	1120	1189.2	129	0.87	95.5	0.9	5.9	2.2	55	800	5650
HJW560A-6	1250	1189.2	145	0.87	95.5	0.7	5.5	1.9	94	1050	6500
HJW560B-6	1400	1189.2	162	0.87	95.6	0.8	5.7	1.9	110	1150	7100
HJW560C-6	1600	1189.2	183	0.88	95.7	0.8	5.8	2.0	125	1248	7300
HJW630A-6	1800	1189.2	205	0.88	95.8	0.7	5.9	2.1	171	1380	8500
HJW630B-6	2000	1190.4	228	0.88	95.9	0.7	5.9	2.0	199	1500	9250
HJW630C-6	2240	1190.4	225	0.88	96.0	0.7	5.9	2.1	213	1800	9650
HJW630D-6	2500	1190.4	284	0.88	96.1	0.7	5.8	2.1	242	1800	10400
HJW710A-6	2800	1192.8	317	0.88	96.8	0.7	5.2	2.2	222	2680	12450
HJW710B-6	3150	1192.8	355	0.88	96.9	0.7	5.6	2.3	257	3084	12980
HJW710C-6	3550	1194	399	0.88	96.9	0.7	5.6	2.4	272	2956	13560
HJW710D-6	4000	1192.8	448	0.87	96.9	0.7	5.6	2.3	301	3234	14210
HJW800A-6	4500	1192.8	508	0.88	96.9	0.6	6.0	2.1	360	3690	17210
HJW800B-6	5000	1192.8	557	0.89	97.0	0.7	5.7	2.1	390	4040	17830
HJW800C-6	5600	1192.8	631	0.88	97.0	0.7	5.6	2.1	430	4390	18890
HJW900A-6	6300	1194	709	0.88	97.2	0.7	5.4	2.0	560	5090	22650
HJW900B-6	7100	1194	798	0.88	97.3	0.7	5.7	2.1	630	5750	23710
HJW900C-6	8000	1194	889	0.89	97.3	0.8	5.5	2.1	670	6110	24710
HJW1000A-6	9000	1195.2	998	0.89	97.5	0.6	5.3	2.1	1180	6270	28450
HJW1000B-6	10000	1195.2	1109	0.89	97.5	0.6	5.3	2.1	1330	6450	29320
HJW1000C-6	11200	1195.2	1241	0.89	97.6	0.7	5.4	2.1	1410	6640	31250
HJW1000D-6	12500	1195.2	1385	0.89	97.6	0.7	5.6	2.2	1570	7350	33000
HJW1120A-6	14000	1195.2	1551	0.89	97.6	0.7	5.8	2.2	2090	8050	38900
HJW1120B-6	16000	1195.2	1773	0.89	97.7	0.7	5.7	2.2	2235	8480	40140
HJW1120C-6	18000	1195.2	1992	0.89	97.7	0.7	5.9	2.2	2380	9230	42660
HJW1120D-6	20000	1195.2	2213	0.89	97.7	0.7	5.9	2.2	2670	9850	44240





## DREHSTROM-HOCHSPANNUNGS-MOTOREN

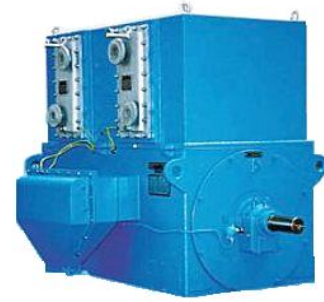
Kühlart: IC81W, Wasser-Luft-Kühlung

## THREE - PHASE HIGH VOLTAGE MOTORS

Cooling Method: IC81W, Water-Air

## MOTEURS DE HAUTE TENSION DE TROIS PHASE

Méthode de refroidissement IC81W, eau-air de refroidissement



### 6.6kV - 60 Hz - CL F - IP55

Typ	Nennleistung	Nenn-drehzahl	N-strom 6.6kV	Leistungs-faktor	Wirkungs-grad	Anzugs-moment	Anzugs-strom	Kipp-moment	Trägheits-moment kg m2		Gewicht
Type	Rated output	Rated speed	Current 6.6kV	Power factor	Efficiency %	Relative torque	Relative current	B-down Torque	Moment of inertia kg m2		Weight
Type	Puissance nominale	Vitesse nominale	Intensité 6.6kV	Facteur de puissance	Rendement %	Couple démarrage	Courant démarrage	Couple maximal	Moment d'inertie kg m2		Masse
	kW	1/min	A	cos Φ	%	Ma/Mn	Ia/In	MK/MN	Motor	J Load	kg

### 8 Polig / 8 Pole

HJW400A-8	220	886	30	0.76	92.6	1.0	5.5	2.1	20	540	2970
HJW400B-8	250	884	33	0.79	92.9	1.0	5.2	2.1	21	560	3050
HJW400C-8	280	884	36	0.80	93.1	1.0	5.1	2.0	22	580	3150
HJW400D-8	315	883	40	0.81	93.3	0.9	5.1	2.0	23	590	3250
HJW400E-8	355	883	44	0.82	93.6	0.9	5.1	2.0	24	600	3350
HJW450A-8	400	884	49	0.83	93.7	1.2	5.5	2.1	35	809	4280
HJW450B-8	450	884	55	0.84	93.8	1.0	5.3	2.1	36	980	4360
HJW450C-8	500	884	61	0.84	94.0	1.1	5.4	2.1	37	1078	4420
HJW450D-8	560	884	68	0.84	94.1	0.9	5.2	2.1	38	1120	4500
HJW500A-8	630	892	75	0.85	94.4	1.0	5.4	2.0	55	1500	5000
HJW500B-8	710	893	84	0.85	94.6	1.0	5.1	2.0	60	1600	5200
HJW500C-8	800	893	95	0.85	94.8	1.0	5.5	2.0	68	1800	5450
HJW500D-8	900	892	105	0.86	95.0	1.0	5.3	2.0	75	1950	5050
HJW560A-8	1000	892	118	0.86	95.0	0.9	5.3	2.1	121	2000	6500
HJW560B-8	1120	892	133	0.85	95.1	0.9	5.3	2.1	130	2100	6700
HJW560C-8	1250	892	148	0.86	95.2	0.9	5.1	2.0	139	2300	7000
HJW630A-8	1400	890	164	0.86	95.5	0.7	5.7	2.0	224	2500	8500
HJW630B-8	1600	890	187	0.86	95.5	0.7	5.7	2.0	242	2700	8800
HJW630C-8	1800	890	208	0.87	95.6	0.7	5.8	1.9	259	2900	9200
HJW630D-8	2000	890	231	0.87	95.7	0.7	5.9	2.0	293	3100	9900
HJW710A-8	2240	894	270	0.83	96.2	0.6	4.9	1.9	261	5321	12140
HJW710B-8	2500	894	301	0.83	96.2	0.6	5.1	1.9	291	5877	12670
HJW710C-8	2800	894	337	0.83	96.3	0.6	5.2	1.9	321	6467	13450
HJW800A-8	3150	893	374	0.84	96.4	0.6	5.1	2.0	390	7090	17020
HJW800B-8	3550	893	421	0.84	96.4	0.6	5.2	2.0	440	7480	17720
HJW800C-8	4000	894	469	0.85	96.5	0.7	5.1	2.1	480	8100	18630
HJW900A-8	4500	893	522	0.86	96.5	0.7	5.4	1.9	670	9270	22420
HJW900B-8	5000	893	580	0.86	96.5	0.7	5.5	1.9	740	10040	23450
HJW900C-8	5600	893	647	0.86	96.6	0.7	5.5	2.0	800	10860	24520
HJW1000A-8	6300	895	721	0.87	96.7	0.6	5.2	2.1	1220	12000	28200
HJW1000B-8	7100	894	812	0.87	96.7	0.6	5.1	2.1	1260	13050	28930
HJW1000C-8	8000	894	914	0.87	96.8	0.6	4.9	2.0	1340	14060	29800
HJW1000D-8	9000	895	1028	0.87	96.8	0.6	5.2	2.1	1540	15170	30840
HJW1000E-8	10000	895	1141	0.87	96.9	0.6	5.2	2.1	1660	16210	31920
HJW1120A-8	11200	896	1265	0.88	97.1	0.6	5.5	2.2	2137	17290	37920
HJW1120B-8	12500	896	1410	0.88	97.2	0.6	5.5	2.2	2261	18390	39140
HJW1120C-8	14000	896	1579	0.88	97.2	0.6	5.5	2.2	2446	18900	40420
HJW1120D-8	16000	895	1809	0.88	97.3	0.6	5.6	1.9	2631	19580	41530





## DREHSTROM-HOCHSPANNUNGS-MOTOREN

Kühlart: IC81W, Wasser-Luft-Kühlung

## THREE - PHASE HIGH VOLTAGE MOTORS

Cooling Method: IC81W, Water-Air

## MOTEURS DE HAUTE TENSION DE TROIS PHASE

Méthode de refroidissement IC81W, eau-air de refroidissement



### 6.6kV - 60 Hz - CL F - IP55

Typ	Nennleistung	Nenn-drehzahl	N-strom 6.6kV	Leistungs-faktor	Wirkungs-grad	Anzugs-moment	Anzugs-strom	Kipp-moment	Trägheits-moment kg m2	Gewicht
Type	Rated output	Rated speed	Current 6.6kV	Power factor	Efficiency %	Relative torque	Relative current	B-down Torque	Moment of inertia kg m2	Weight
Type	Puissance nominale	Vitesse nominale	Intensité 6.6kV	Facteur de puissance	Rendement %	Couple démarrage	Courant démarrage	Couple maximal	Moment d'inertie kg m2	Masse

	kW	1/min	A	cos Φ	%	Ma/Mn	Ia/In	MK/MN	Motor	J Load	kg
--	----	-------	---	-------	---	-------	-------	-------	-------	--------	----

### 10 Polig / 10 Pole

HJW400A-10	220	704	30	0.76	91.7	0.8	5.5	2.0	28	800	4300
HJW400B-10	250	704	34	0.76	92.0	0.8	5.5	2.0	30	900	4400
HJW450A-10	280	706	36	0.81	92.6	1.0	5.4	2.2	40	1000	4150
HJW450B-10	315	706	40	0.82	92.8	1.0	5.4	2.2	42	1100	4250
HJW450C-10	355	706	45	0.82	93.0	1.0	5.4	2.2	44	1200	4350
HJW450D-10	400	706	50	0.82	93.2	1.0	5.4	2.2	46	1300	4450
HJW500A-10	450	709	58	0.80	93.5	0.9	4.8	2.0	59	2270	5050
HJW500B-10	500	709	64	0.80	93.7	0.9	4.7	2.0	62	2530	5170
HJW500C-10	560	710	72	0.80	93.8	0.9	4.9	2.0	73	2800	5300
HJW500D-10	630	710	81	0.80	94.0	0.9	4.8	1.9	78	3000	5450
HJW500E-10	710	709	89	0.81	94.1	0.9	4.6	1.9	89	3100	5760
HJW560A-10	800	710	97	0.84	94.4	0.9	4.6	1.9	117	3200	6600
HJW560B-10	900	710	108	0.84	94.7	0.9	4.7	1.9	137	3400	6800
HJW560C-10	1000	710	121	0.84	94.8	0.9	4.8	1.9	146	3590	7100
HJW560D-10	1120	709	134	0.84	95.0	0.9	4.7	1.9	165	3600	7300
HJW630A-10	1250	710	151	0.84	95.1	0.8	5.8	2.1	269	3800	8500
HJW630B-10	1400	710	168	0.84	95.2	0.8	5.5	2.0	312	4100	8900
HJW630C-10	1600	710	192	0.84	95.3	0.8	5.4	2.0	353	4400	9500
HJW630D-10	1800	710	216	0.84	95.4	0.8	5.8	2.1	368	4800	10000
HJW710A-10	2000	713	248	0.81	95.7	0.7	4.5	2.0	349	7128	12060
HJW710B-10	2240	713	278	0.81	95.8	0.7	4.6	2.0	385	7887	12630
HJW710C-10	2500	713	306	0.82	95.9	0.7	4.5	2.0	380	9630	13290
HJW800A-10	2800	714	342	0.82	96.2	0.7	4.7	2.1	530	10980	17800
HJW800B-10	3150	714	384	0.82	96.2	0.7	5.1	2.2	600	12890	18610
HJW900A-10	3550	713	432	0.82	96.3	0.6	4.1	1.8	660	13150	22430
HJW900B-10	4000	713	485	0.82	96.4	0.7	4.4	1.9	750	14040	23060
HJW900C-10	4500	714	545	0.82	96.6	0.7	4.7	2.0	840	15660	23800
HJW900D-10	5000	713	605	0.83	96.6	0.7	4.2	1.8	840	16650	24650
HJW1000A-10	5600	715	664	0.84	96.6	0.6	5.0	2.1	1510	17850	27470
HJW1000B-10	6300	715	747	0.84	96.6	0.6	5.0	2.1	1650	19240	28110
HJW1000C-10	7100	715	842	0.84	96.6	0.6	5.1	2.2	1845	21280	29020
HJW1000D-10	8000	715	937	0.85	96.7	0.6	5.0	2.1	1930	23470	30310
HJW1120A-10	9000	715	1040	0.86	96.8	0.6	4.7	2.0	2460	24680	37640
HJW1120B-10	10000	715	1156	0.86	96.8	0.6	5.0	2.1	2730	27570	38870
HJW1120C-10	11200	715	1293	0.86	96.9	0.6	5.0	2.1	2860	30000	40010
HJW1120D-10	12500	715	1443	0.86	96.9	0.5	4.5	1.9	2910	32000	41120





## DREHSTROM-HOCHSPANNUNGS-MOTOREN

Kühlart: IC81W, Wasser-Luft-Kühlung

## THREE - PHASE HIGH VOLTAGE MOTORS

Cooling Method: IC81W, Water-Air

## MOTEURS DE HAUTE TENSION DE TROIS PHASE

Méthode de refroidissement IC81W, eau-air de refroidissement



### 6.6kV - 60 Hz - CL F - IP55

Typ	Nennleistung	Nenn-drehzahl	N-strom 6.6kV	Leistungs-faktor	Wirkungs-grad	Anzugs-moment	Anzugs-strom	Kipp-moment	Trägheits-moment kg m2	Gewicht
Type	Rated output	Rated speed	Current 6.6kV	Power factor	Efficiency %	Relative torque	Relative current	B-down Torque	Moment of inertia kg m2	Weight
Type	Puissance nominale	Vitesse nominale	Intensité 6.6kV	Facteur de puissance	Rendement %	Couple démarrage	Courant démarrage	Couple maximal	Moment d'inertie kg m2	Masse

	kW	1/min	A	cos Φ	%	Ma/Mn	Ia/In	MK/MN	Motor	J Load	kg
--	----	-------	---	-------	---	-------	-------	-------	-------	--------	----

### 12 Polig / 12 Pole

HJW450A-12	220	587	31	0.75	91.9	0.9	5.0	2.1	40	1400	4200
HJW450B-12	250	587	35	0.75	92.3	0.9	5.0	2.1	42	1500	4300
HJW450C-12	280	587	39	0.74	92.7	0.9	5.0	2.1	44	1600	4400
HJW500A-12	315	590	42	0.78	93.3	0.8	4.7	2.2	55	2900	5100
HJW500B-12	355	590	47	0.78	93.5	0.8	4.7	1.9	60	3060	5200
HJW500C-12	400	590	53	0.78	93.6	0.8	4.7	1.9	65	3215	5310
HJW500D-12	450	592	58	0.79	93.8	0.8	4.7	2.0	70	3345	5430
HJW500E-12	500	592	65	0.79	94.0	0.8	4.8	2.0	80	3592	5660
HJW560A-12	560	592	72	0.79	94.4	0.9	5.5	2.2	140	3600	6300
HJW560B-12	630	593	82	0.78	94.6	0.9	5.5	2.3	164	3700	6500
HJW560C-12	710	593	90	0.80	94.8	0.9	5.5	2.2	185	3800	6700
HJW560D-12	800	592	103	0.79	94.8	0.9	5.5	2.2	196	3900	6900
HJW630A-12	900	592	111	0.82	94.9	0.9	5.6	2.1	315	5100	8500
HJW630B-12	1000	592	123	0.82	95.1	0.9	5.5	2.0	345	5700	8800
HJW630C-12	1120	592	138	0.82	95.2	0.9	5.5	2.1	360	6300	9200
HJW630D-12	1250	592	154	0.82	95.4	0.9	5.6	2.1	378	7300	9700
HJW710A-12	1400	593	177	0.80	95.4	0.8	5.2	2.2	284	9732	12210
HJW710B-12	1600	593	202	0.80	95.4	0.8	5.2	2.3	299	10530	12600
HJW710C-12	1800	593	227	0.80	95.4	0.8	5.3	2.2	329	11060	13100
HJW800A-12	2000	593	249	0.81	95.8	0.9	5.2	2.4	560	11280	17610
HJW800B-12	2240	593	279	0.81	95.8	0.9	5.2	2.3	600	12040	18320
HJW800C-12	2500	593	310	0.81	95.9	0.9	5.3	2.5	660	13060	18900
HJW900A-12	2800	594	338	0.83	96.1	0.8	5.2	2.3	950	14060	22120
HJW900B-12	3150	594	380	0.83	96.2	0.8	5.3	2.4	970	14560	23360
HJW900C-12	3550	594	428	0.83	96.2	0.8	5.3	2.4	1090	15200	24340
HJW1000A-12	4000	594	481	0.83	96.4	0.8	5.1	2.1	1570	24200	27900
HJW1000B-12	4500	594	541	0.83	96.4	0.8	4.9	2.1	1720	26030	28940
HJW1000C-12	5000	594	593	0.84	96.5	0.8	4.9	2.1	1830	27910	29440
HJW1000D-12	5600	594	665	0.83	96.5	0.8	5.0	2.1	1980	30650	30520
HJW1120A-12	6300	595	747	0.84	96.6	0.7	5.2	2.2	2620	33530	37610
HJW1120B-12	7100	595	842	0.85	96.6	0.7	5.3	2.3	2840	36030	38780
HJW1120C-12	8000	596	949	0.84	96.6	0.7	5.4	2.4	3130	37670	40210
HJW1120D-12	9000	595	1066	0.84	96.7	0.6	4.9	2.1	3260	38990	41330





## DREHSTROM-HOCHSPANNUNGS-MOTOREN

Kühlart: IC81W, Wasser-Luft-Kühlung

## THREE - PHASE HIGH VOLTAGE MOTORS

Cooling Method: IC81W, Water-Air

## MOTEURS DE HAUTE TENSION DE TROIS PHASE

Méthode de refroidissement IC81W, eau-air de refroidissement



### 6.6kV - 60 Hz - CL F - IP55

Typ	Nennleistung	Nenn-drehzahl	N-strom 6.6kV	Leistungs-faktor	Wirkungs-grad	Anzugs-moment	Anzugs-strom	Kipp-moment	Trägheits-moment kg m <sup>2</sup>	Gewicht
Type	Rated output	Rated speed	Current 6.6kV	Power factor	Efficiency %	Relative torque	Relative current	B-down Torque	Moment of inertia kg m <sup>2</sup>	Weight
Type	Puissance nominale	Vitesse nominale	Intensité 6.6kV	Facteur de puissance	Rendement %	Couple démarrage	Courant démarrage	Couple maximal	Moment d'inertie kg m <sup>2</sup>	Masse

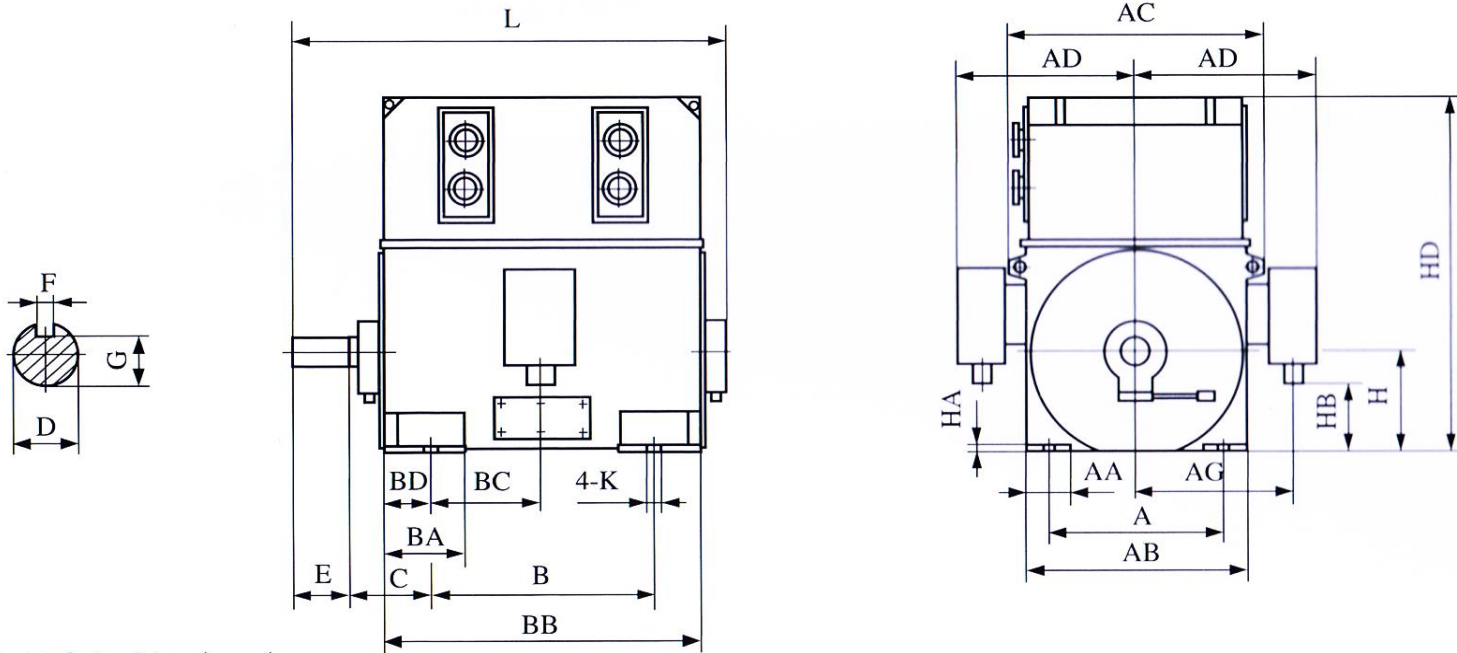
	kW	1/min	A	cos Φ	%	Ma/Mn	Ia/In	MK/MN	Motor	J Load	kg
--	----	-------	---	-------	---	-------	-------	-------	-------	--------	----

### 16 Polig / 16 Pole

HJW710A-16	800	443	110	0.75	93.7	0.8	4.7	2.4	310	11430	12020
HJW710B-16	900	443	123	0.75	93.7	0.8	4.6	2.3	340	12060	12510
HJW710C-16	1000	443	138	0.75	93.8	0.8	4.6	2.4	360	13340	13100
HJW710D-16	1120	444	153	0.75	93.8	0.8	4.6	2.4	420	14640	13560
HJW800A-16	1250	443	170	0.75	94.4	0.7	4.0	2.0	510	17950	17310
HJW800B-16	1400	443	190	0.75	94.5	0.7	4.0	2.0	570	19790	18070
HJW800C-16	1600	444	217	0.75	94.6	0.7	4.1	2.1	640	21050	18780
HJW900A-16	1800	445	240	0.76	95.1	0.7	4.6	2.2	890	21500	22100
HJW900B-16	2000	445	266	0.76	95.1	0.7	4.7	2.1	980	22040	23010
HJW900C-16	2240	445	294	0.77	95.2	0.7	4.7	2.1	1050	23050	23860
HJW900D-16	2500	445	332	0.76	95.2	0.7	4.8	2.1	1140	24260	24670
HJW1000A-16	2800	445	358	0.79	95.2	0.7	4.8	2.2	1550	36610	28020
HJW1000B-16	3150	445	405	0.78	95.2	0.8	4.7	2.2	1650	39600	29130
HJW1000C-16	3550	445	453	0.79	95.3	0.8	4.8	2.3	1850	43980	29870
HJW1000D-16	4000	445	511	0.79	95.3	0.8	4.8	2.2	2060	48570	30940
HJW1120A-16	4500	446	571	0.79	96.0	0.8	4.9	2.2	2520	59550	34600
HJW1120B-16	5000	446	634	0.79	96.1	0.9	5.2	2.3	2820	61550	35480
HJW1120C-16	5600	446	700	0.80	96.2	0.8	5.0	2.2	2940	72630	36340
HJW1120D-16	6300	446	787	0.80	96.3	0.8	4.5	2.0	3031	72850	37570



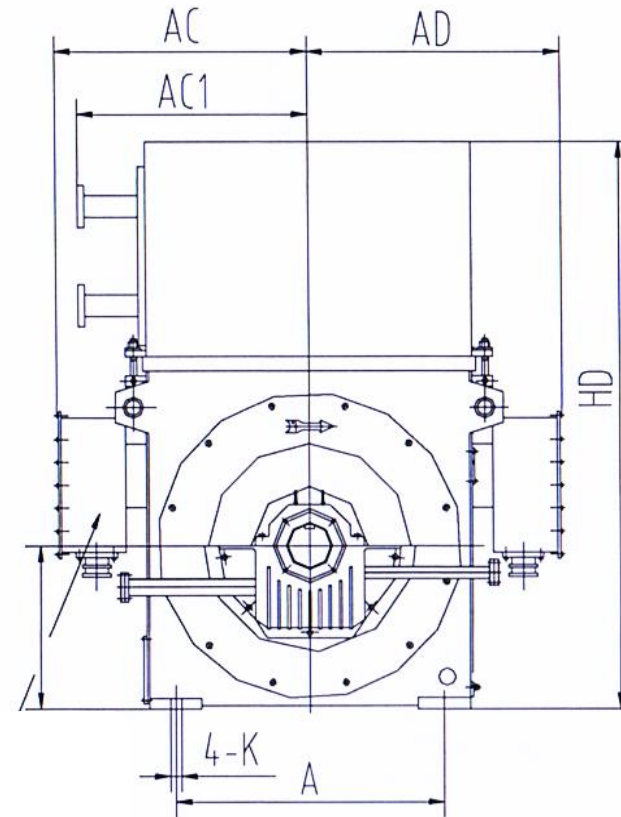
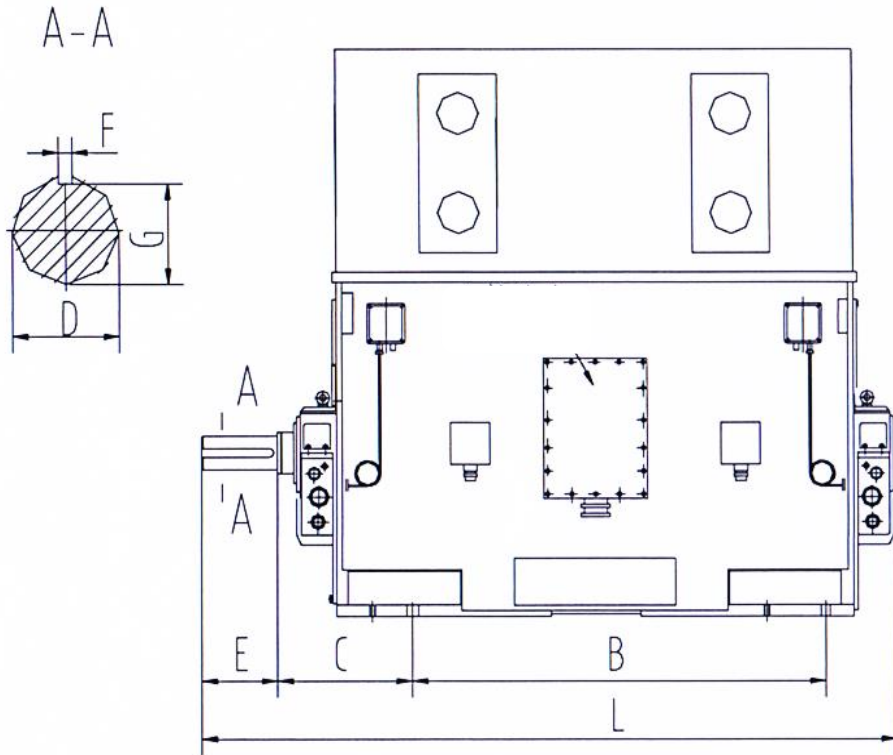
Overall mounting dimensions for HJW (6.6kV) series of high-voltage three-phase induction motors. Frame Size 355-630



Frame Size	A	AA	AB	AC	AD	AG	B	BA	BB	BC	BD	C	D	E	F	G	H	HA	HB	HD	K	L
HJW355 2	630	208	800	1020	755	595	900	570	1360	470	210	315	80	170	22	71	355	26	90	1600	28	1750
HJW355 4-6	630	208	800	1020	755	595	900	570	1360	470	210	315	100	210	28	90	355	26	90	1600	28	1790
HJW400 2	710	208	900	1120	800	645	1000	600	1500	473	277	375	90	170	25	81	400	30	130	1870	35	1880
HJW400 4-8	710	208	900	1120	800	645	1000	600	1500	501	249	335	110	210	28	100	400	30	130	1870	35	1920
HJW450 2	800	208	980	1180	840	685	1120	620	1620	504	306	400	100	210	28	90	450	40	200	1930	35	2000
HJW450 4	800	208	980	1180	840	685	1120	620	1620	548	262	355	120	210	32	109	450	40	200	1930	35	2000
HJW450 6-12	800	208	980	1180	840	685	1120	620	1620	548	262	355	130	250	32	119	450	40	200	1930	35	2040
HJW500 2	900	208	1120	1320	900	755	1250	660	1730	495	370	560	110	210	28	100	500	40	320	2080	42	2350
HJW500 4	900	208	1120	1320	900	755	1250	660	1730	510	355	475	130	250	32	119	500	40	320	2080	42	2200
HJW500 6-12	900	208	1120	1320	900	755	1250	660	1730	510	355	475	140	250	36	128	500	40	320	2080	42	2200
HJW560 2	1000	210	1220	1460	960	805	1400	720	1860	585	345	560	130	250	32	119	560	40	348	2330	42	2650
HJW560 4	1000	210	1220	1460	960	805	1400	720	1860	570	360	500	150	250	36	138	560	40	348	2330	42	2400
HJW560 6-12	1000	210	1220	1460	960	805	1400	720	1860	570	360	500	160	300	40	147	560	40	348	2330	42	2400
HJW630 2	1120	210	1260	1500	980	825	1600	670	2000	710	290	560	140	250	36	128	630	40	530	2850	48	2750
HJW630 4	1120	210	1260	1500	980	825	1600	670	2000	740	260	530	170	300	40	157	630	40	530	2850	48	2800
HJW630 6-12	1120	210	1260	1500	980	825	1600	670	2000	740	260	530	180	300	45	165	630	40	530	2850	48	2800



Overall mounting dimensions for HJW (6.6kV) series of high-voltage three-phase induction motors. Frame Size 710 - 1000



Frame	Mounting dimension and tolerance									Overall Dimension				
	A	B	C	D	E	F	G	H	K	AC	AC1	AD	HD	L
HJW710 2	1400	1600	530	160	300	40	147	710	56	1370	990	1310	2340	3200
HJW710 4-16	1400	1800	530	200	350	45	185	710	56	1370	990	1310	2340	3200
HJW800 2	1600	1800	530	180	350	45	165	800	56	1460	1080	1400	2800	3420
HJW800 4-16	1600	2000	530	220	350	50	203	800	56	1460	1080	1400	2800	3420
HJW900 4-16	1800	2240	600	250	410	56	230	900	66	1560	1250	1500	3200	3650
HJW1000 4-16	2000	2500	600	280	410	63	260	1000	66	1660	1350	1600	3600	3980