

HOCHSPANNUNGS-DREHSTROMMOTOREN EXPL.-GESCHÜTZT

Kompakte Ausführung, Kühlart: IC411 Eigenbelüftet

THREE - PHASE EXPLOSION PROOF HIGH VOLTAGE MOTORS

Compact Design, Cooling Method: IC411 Self ventilated

Moteurs triphasé a haute tension antideflagrants

Design compact, Méthode de refroidissement: IC411 autoventilés


6.6kV - 50 Hz - CL F - IP55

Type	Nennleistung	Nenn-drehzahl	N-strom 6.6kV	Leistungs-faktor	Wirkungs-grad	Anzugs-moment	Anzugs-strom	Kipp-moment	Trägheits-moment	Gewicht
Type	Rated output	Rated speed	Current 6.6kV	Power factor	Efficiency %	Relative torque	Relative current	B-down Torque	Moment of inertia	Weight
Type	Puissance nominale	Vitesse nominale	Intensité 6.6kV	Facteur de puissance	Rendement %	Couple démarrage	Courant démarrage	Couple maximal	Moment d'inertie	Masse
	KW	1 / min	A	cos φ	%	MA / MN	Ia / In	MK / MN	Kg/m2	kg
2 Polig / 2 Poles / 2 Pôles										
HJCX355A-2	185	2968	20.9	0.90	94.8	0.7	7.0	2.0	2.0	2035
HJCX355B-2	200	2968	22.5	0.90	95.1	0.7	7.0	2.0	2.5	2080
HJCX355C-2	220	2968	24.7	0.90	95.4	0.7	7.0	2.0	2.4	2155
HJCX355D-2	250	2971	28.0	0.90	95.6	0.7	7.0	2.0	2.5	2195
HJCX355E-2	280	2971	31.3	0.90	95.8	0.7	7.0	2.0	2.8	2240
HJCX400A-2	315	2971	35.2	0.90	95.8	0.7	7.0	2.0	4.3	2730
HJCX400B-2	355	2973	39.6	0.90	95.9	0.7	7.0	2.0	4.5	2810
HJCX400C-2	400	2973	44.5	0.90	96.0	0.7	7.0	2.0	4.9	2925
HJCX400D-2	450	2976	50.0	0.90	96.2	0.7	7.0	2.0	5.3	3015
HJCX450A-2	500	2976	54.9	0.91	96.3	0.7	7.0	2.0	6.0	3475
HJCX450B-2	560	2978	61.5	0.91	96.3	0.7	7.0	2.0	6.2	3610
HJCX450C-2	630	2978	69.2	0.91	96.3	0.7	7.0	2.0	6.8	3770
HJCX450D-2	710	2978	77.8	0.91	96.5	0.7	7.0	2.0	7.5	3910
HJCX500A-2	800	2979	87.7	0.91	96.5	0.7	7.0	2.0	15.0	5725
HJCX500B-2	900	2979	98.6	0.91	96.5	0.7	7.0	2.0	16.0	5855
HJCX500C-2	1000	2980	109.5	0.91	96.6	0.7	7.0	2.0	17.0	5990
HJCX500D-2	1120	2980	122.3	0.91	96.8	0.7	7.0	2.0	19.0	6230
HJCX560A-2	1250	2980	136.4	0.91	96.9	0.7	7.0	2.0	28.0	7475
HJCX560B-2	1400	2985	151.1	0.92	96.9	0.7	7.0	2.0	30.0	7765
HJCX560C-2	1600	2985	172.5	0.92	97.0	0.7	7.0	2.0	32.0	8085



HOCHSPANNUNGS-DREHSTROMMOTOREN EXPL.-GESCHÜTZT

Kompakte Ausführung, Kühlart: IC411

THREE - PHASE EXPLOSION PROOF HIGH VOLTAGE MOTORS

Compact Design, Cooling Method: IC411

Moteur triphasé a haute tension antideflagrants

Design compact, Méthode de refroidissement: IC411


6.6kV - 50 Hz - CL F - IP55

Type	Nennleistung	Nenn-drehzahl	N-strom 6.6kV	Leistungs-faktor	Wirkungs-grad	Anzugs-moment	Anzugs-strom	Kipp-moment	Trägheits-moment	Gewicht
Type	Rated output	Rated speed	Current 6.6kV	Power factor	Efficiency %	Relative torque	Relative current	B-down Torque	Moment of inertia	Weight
Type	Puissance nominale	Vitesse nominale	Intensité 6.6kV	Facteur de puissance	Rendement %	Couple démarrage	Courant démarrage	Couple maximal	Moment d'inertie	Masse
	KW	1 / min	A	cos φ	%	MA / MN	Ia / In	MK / MN	Kg/m ²	kg
4 Polig / 4 Poles / 4 Pôles										
HJXC355A-4	185	1482	20.1	0.85	94.6	0.8	6.5	2.0	4.8	2175
HJXC355B-4	200	1482	21.7	0.85	94.8	0.8	6.5	2.0	5.4	2250
HJXC355C-4	220	1482	23.9	0.85	95.0	0.8	6.5	2.0	5.8	2310
HJXC355D-4	250	1484	27.1	0.85	95.2	0.8	6.5	2.0	6.1	2345
HJXC355E-4	280	1484	30.2	0.85	95.5	0.8	6.5	2.0	6.4	2385
HJXC400A-4	315	1484	34.0	0.85	95.6	0.8	6.5	2.0	8.0	2935
HJXC400B-4	355	1486	38.1	0.85	95.9	0.8	6.5	2.0	8.5	3035
HJXC400C-4	400	1486	42.9	0.85	96.1	0.8	6.5	2.0	9.3	3120
HJXC400D-4	450	1486	47.6	0.86	96.2	0.8	6.5	2.0	9.8	3190
HJXC450A-4	500	1486	52.9	0.86	96.3	0.8	6.5	2.0	13.0	3850
HJXC450B-4	560	1486	59.2	0.86	96.3	0.8	6.5	2.0	15.0	4045
HJXC450C-4	630	1486	66.6	0.86	96.4	0.8	6.5	2.0	16.0	4310
HJXC450D-4	710	1486	74.0	0.87	96.6	0.8	6.5	2.0	18.0	4550
HJXC500A-4	800	1487	83.3	0.87	96.7	0.8	6.5	2.0	33.0	5540
HJXC500B-4	900	1488	93.7	0.87	96.7	0.8	6.5	2.0	35.0	5730
HJXC500C-4	1000	1489	104.0	0.87	96.8	0.8	6.5	2.0	37.0	5845
HJXC500D-4	1120	1489	116.4	0.87	96.9	0.8	6.5	2.0	39.0	5970
HJXC560A-4	1250	1489	129.9	0.87	96.9	0.8	6.5	2.0	63.0	7575
HJXC560B-4	1400	1489	142.0	0.89	97.0	0.8	6.5	2.0	68.0	7885
HJXC560C-4	1600	1489	162.0	0.89	97.2	0.8	6.5	2.0	76.0	8245





HOCHSPANNUNGS-DREHSTROMMOTOREN EXPL.-GESCHÜTZT

Kompakte Ausführung, Kühlart: IC411

THREE - PHASE EXPLOSION PROOF HIGH VOLTAGE MOTORS

Compact Design, Cooling Method: IC411

Moteur triphasé a haute tension antideflagrants

Design compact, Méthode de refroidissement: IC411



6.6kV - 50 Hz - CL F - IP55

Type	Nennleistung	Nenn-drehzahl	N-strom 6.6kV	Leistungs-faktor	Wirkungs-grad	Anzugs-moment	Anzugs-strom	Kipp-moment	Trägheits-moment	Gewicht
Type	Rated output	Rated speed	Current 6.6kV	Power factor	Efficiency %	Relative torque	Relative current	B-down Torque	Moment of inertia	Weight
Type	Puissance nominale	Vitesse nominale	Intensité 6.6kV	Facteur de puissance	Rendement %	Couple démarrage	Courant démarrage	Couple maximal	Moment d'inertie	Masse
	KW	1 / min	A	cos φ	%	MA / MN	Ia / In	MK / MN	Kg/m2	kg

6 Polig / 6 Poles / 6 Pôles

HJCX355C-6	160	987	18.3	0.81	94.4	0.8	6.5	2.0	6.5	2330
HJCX355D-6	185	987	21.1	0.81	94.6	0.8	6.5	2.0	7.0	2395
HJCX355E-6	200	987	22.8	0.81	94.8	0.8	6.5	2.0	7.8	2480
HJCX400A-6	220	987	24.8	0.82	94.9	0.8	6.5	2.0	11.8	2950
HJCX400B-6	250	987	27.7	0.83	95.4	0.8	6.5	2.0	12.5	3000
HJCX400C-6	280	987	30.9	0.83	95.5	0.8	6.5	2.0	13.3	3110
HJCX400D-6	315	987	34.7	0.83	95.7	0.8	6.5	2.0	14.3	3220
HJCX450A-6	355	989	39.1	0.83	95.7	0.8	6.5	2.0	16.0	3960
HJCX450B-6	400	989	44.1	0.83	95.7	0.8	6.5	2.0	18.0	4170
HJCX450C-6	450	989	49.6	0.83	95.8	0.8	6.5	2.0	20.0	4370
HJCX450D-6	500	989	55.0	0.83	96.0	0.8	6.5	2.0	22.0	4570
HJCX500A-6	560	990	61.5	0.83	96.1	0.8	6.5	2.0	44.0	5725
HJCX500B-6	630	990	69.1	0.83	96.2	0.8	6.5	2.0	46.0	5845
HJCX500C-6	710	990	77.7	0.83	96.4	0.8	6.5	2.0	48.0	6120
HJCX500D-6	800	990	87.5	0.83	96.5	0.8	6.5	2.0	51.0	6300
HJCX560A-6	900	991	97.1	0.84	96.6	0.8	6.5	2.0	97.0	7350
HJCX560B-6	1000	991	107.8	0.84	96.7	0.8	6.5	2.0	101.0	7620
HJCX560C-6	1120	992	120.5	0.84	96.9	0.8	6.5	2.0	106.0	7840
HJCX560D-6	1250	992	134.4	0.84	97.0	0.8	6.5	2.0	113.0	8095





HOCHSPANNUNGS-DREHSTROMMOTOREN EXPL.-GESCHÜTZT

Kompakte Ausführung, Kühlart: IC411

THREE - PHASE EXPLOSION PROOF HIGH VOLTAGE MOTORS

Compact Design, Cooling Method: IC411

Moteur triphasé a haute tension antideflagrants

Design compact, Méthode de refroidissement: IC411



6.6kV - 50 Hz - CL F - IP55

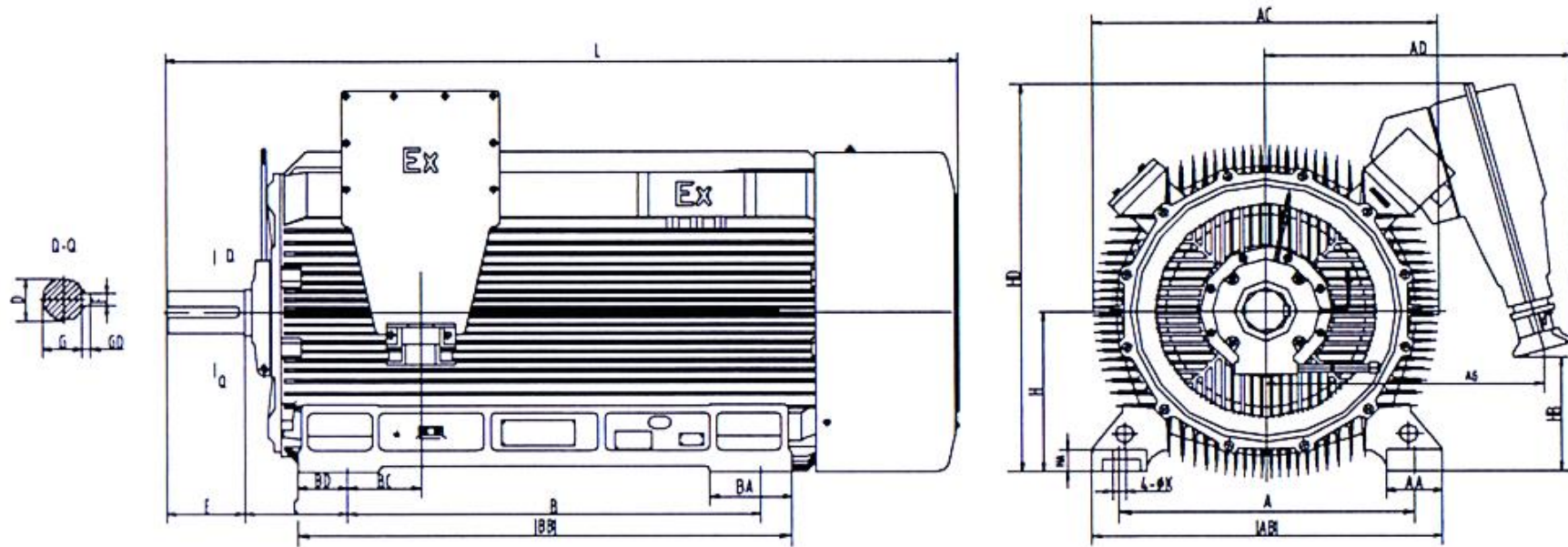
Type	Nennleistung	Nenn-drehzahl	N-strom 6.6kV	Leistungs-faktor	Wirkungs-grad	Anzugs-moment	Anzugs-strom	Kipp-moment	Trägheits-moment	Gewicht
Type	Rated output	Rated speed	Current 6.6kV	Power factor	Efficiency %	Relative torque	Relative current	B-down Torque	Moment of inertia	Weight
Type	Puissance nominale	Vitesse nominale	Intensité 6.6kV	Facteur de puissance	Rendement %	Couple démarrage	Courant démarrage	Couple maximal	Moment d'inertie	Masse
	KW	1 / min	A	cos ϕ	%	MA / MN	Ia / In	MK / MN	Kg/m2	kg

8 Polig / 8 Poles / 8 Pôles

HJCX400A-8	160	742	19.6	0.76	93.9	0.8	5.5	2.0	12.5	2930
HJCX400B-8	185	742	22.7	0.76	94.1	0.8	5.5	2.0	13.0	2975
HJCX400C-8	200	742	24.1	0.77	94.3	0.8	5.5	2.0	14.0	3085
HJCX400C-8	220	742	26.5	0.77	94.5	0.8	5.5	2.0	15.3	3205
HJCX450A-8	250	742	29.6	0.78	94.7	0.8	5.5	2.0	16.0	3955
HJCX450B-8	280	742	33.2	0.78	94.8	0.8	5.5	2.0	18.0	4155
HJCX450C-8	315	742	37.2	0.78	95.0	0.8	5.5	2.0	20.0	4355
HJCX450D-8	355	742	41.9	0.78	95.1	0.8	5.5	2.0	22.0	4560
HJCX500A-8	400	743	46.0	0.80	95.3	0.8	5.5	2.0	44.0	5720
HJCX500B-8	450	743	51.5	0.80	95.6	0.8	5.5	2.0	46.0	5840
HJCX500C-8	500	743	57.2	0.80	95.7	0.8	5.5	2.0	48.0	6110
HJCX500D-8	560	743	64.0	0.80	95.8	0.8	5.5	2.0	51.0	6290
HJCX560A-8	630	745	71.0	0.81	95.9	0.8	5.5	2.0	120.0	6860
HJCX560B-8	710	745	80.1	0.81	95.9	0.8	5.5	2.0	128.0	7145
HJCX560C-8	800	745	90.0	0.81	96.1	0.8	5.5	2.0	134.0	7370
HJCX560D-8	900	745	101.2	0.81	96.2	0.8	5.5	2.0	140.0	7610



Overall mounting dimensions for HJCX (6.6kV) series of high-voltage three-phase induction motors. Compact Design, Explosion-Proof



Frame Size	No of poles	Mounting dimension and tolerance									Overall dimension													
		A	B	C	D	E	F	G	H	K	AA	AB	AC	AD	AG	BA	BB	BC	BD	GD	H	HB	HD	L
HJCX-355	2	630	900	254	75	140	20	67.5	355	28	160	790	750	780	730	240	1110	217	112	14	50	210	1010	1770
HJCX-355	4-6	630	900	254	100	210	28	90	355	28	160	790	750	780	730	240	1110	217	112	16	50	210	1010	1840
HJCX-400	2	710	1000	280	85	170	22	76	400	35	160	870	840	830	745	240	1200	200	115	14	50	335	1110	1900
HJCX-400	4-8	710	1000	280	110	210	28	100	400	35	160	870	840	830	745	240	1200	200	115	16	50	335	1110	2000
HJCX-450	2	800	1120	280	95	170	25	86	450	35	160	950	910	855	790	240	1340	165	136	14	50	370	1170	2070
HJCX-450	4	800	1120	280	120	210	32	109	450	35	160	950	910	855	790	240	1340	165	136	18	50	370	1170	2150
HJCX-450	6-8	800	1120	280	130	250	32	119	450	35	160	950	910	855	790	240	1340	165	136	18	50	370	1170	2250
HJCX-500	2	900	1250	425	110	210	28	100	500	42	200	1080	1035	910	820	300	1490	264	114	16	50	490	1290	2580
HJCX-500	4	900	1250	315	130	250	32	119	500	42	200	1080	1035	910	820	300	1490	264	114	18	50	490	1290	2380
HJCX-500	6-8	900	1250	315	140	250	36	128	500	42	200	1080	1035	910	820	300	1490	264	114	20	50	490	1290	2485
HJCX-560	2	1000	1400	530	130	250	32	119	560	42	210	1170	1185	955	870	300	1680	178	170	18	60	595	1400	2900
HJCX-560	4	1000	1400	355	150	250	36	138	560	42	210	1170	1185	955	870	300	1680	178	170	20	60	595	1400	2600
HJCX-560	6-8	1000	1400	355	160	300	4	147	560	42	210	1170	1185	955	870	300	1680	178	170	22	60	595	1400	2775